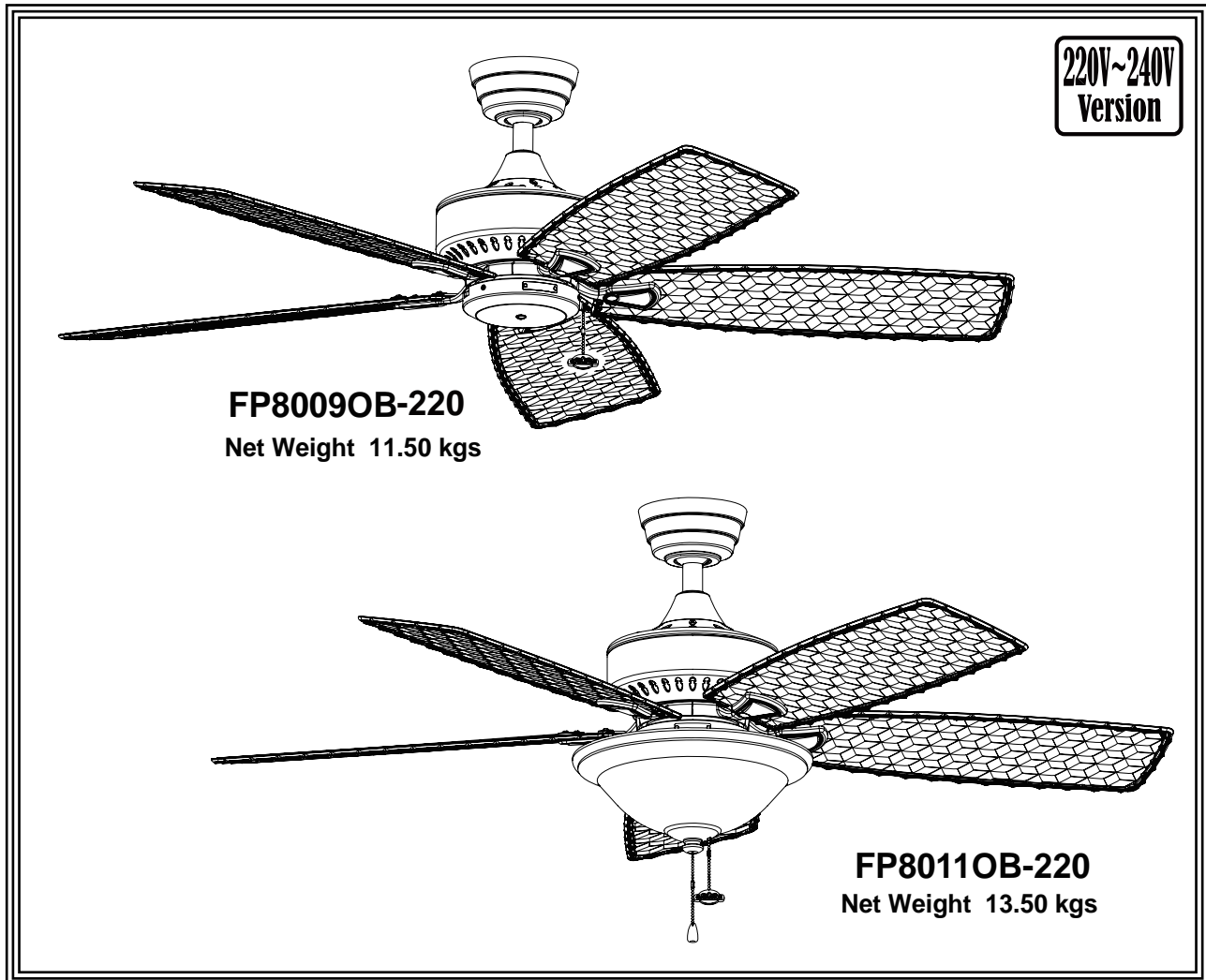


The CancunTM

Ceiling Fans



Model Nos. FP8009OB-220 | FP8011OB-220

OWNER'S MANUAL

READ AND SAVE THESE INSTRUCTIONS



Important Safety Instructions

WARNING: To avoid fire, shock and serious personal injury, follow these instructions.

1. Read your owner's manual and safety information before installing your new fan. Review the accompanying assembly diagrams.
2. Before servicing or cleaning unit, switch power off at service panel and lock service panel disconnecting means to prevent power from being switched on accidentally. When the service disconnecting means cannot be locked, securely fasten a warning device, such as a tag, to the service panel.
3. Be careful of the fan and blades when cleaning, painting, or working near the fan. Always turn off the power to the ceiling fan before servicing.
4. Do not insert anything into the fan blades while the fan is operating.
5. Do not operate reversing switch until fan blades have come to a complete stop.
6. Do not dispose of electrical appliances as unsorted municipal waste, use separate collection facilities.
7. Contact your local government for information regarding the collection systems available.
8. If electrical appliances are disposed of in landfills or dumps, hazardous substances can leak into the groundwater and get into the food chain, damaging your health and well-being.
9. When replacing old appliances with new once, the retailer is legally obligated to take back your old appliance for disposal at least for free of charge.
10. This appliance is not intended for use by persons (including children) with reduced physical, sensory or mental capabilities, or lack of experience and knowledge, unless they have given supervision or instruction concerning use of the appliance by a person responsible for their safety.
11. Children should be supervised to ensure that they do not play with the appliance.

Additional Safety Instructions

1. To avoid possible shock, be sure electricity is turned off at the fuse box before wiring, and do not operate fan without blades.
2. All wiring and installation procedures must satisfy National Electrical Codes (ANSI/ NFPA 70-1999) and Local Codes. The ceiling fan must be grounded as a precaution against possible electrical shock. Electrical installation should be made or approved by a licensed electrician.
3. The fan base must be securely mounted and capable of reliably supporting at least 50 lbs. (fan and accessories not to exceed 50 lbs. or 22.7 kgs.). See page 4 of owner's manual for support requirements. Consult a qualified electrician if in doubt.
4. The fan must be mounted with the fan blades at least 2.3 meter from the floor to prevent accidental contact with the fan blades.
5. Follow the recommended instructions for the proper method of wiring your ceiling fan. If you do not have adequate electrical knowledge or experience, have your fan installed by licensed electrician.
6. Suitable for use with solid-state speed controls.

WARNING: To Reduce The Risk Of Electrical Shock, This Fan Must Be Installed With A General Use, Isolating Wall Control/Switch.

WARNING: This product is designed to use only those parts supplied with this product and/or accessories designated specifically for use with this product. Using parts and/or accessories not designated for use with this product could result in personal injury or property damage.

WARNING: To reduce the risk of personal injury, do not bend the blade bracket (flange or blade holder) when installing the brackets, balancing the blades, or cleaning the fan. Do not insert foreign objects in between rotating fan blades.

WARNING: The building installation must contain a device to disconnect all poles of the fan from the main supply. The contact distance in all poles must be 3mm minimum.

LIMITED LIFETIME WARRANTY

Extends to the original purchaser of a Fanimation Fan

1. LIMITED LIFETIME MOTOR WARRANTY - If any part of your fan motor fails, due to a defect in materials or workmanship during the lifetime of the original purchaser, Fanimation will provide the replacement part free of charge, when the defective fan is returned to our national service center. Proof of purchase is required. Customer shall be responsible for all costs incurred in the removal or reinstallation and shipping of the product for repairs or replacement.
2. ONE YEAR MOTOR LABOR WARRANTY - If your fan motor fails at any time within one year from the original purchase, due to defects in materials or workmanship, labor to repair the motor will be provided free of charge at our national service center. Purchaser will be responsible for labor charges after this one-year period. Customer shall be responsible for all costs incurred in the removal or reinstallation and shipping of the product for repairs or replacement.
3. If any other part of your fan fails at any time within one year after original purchase, due to a defect in materials or workmanship, we will repair, or replace, at our option, the defective part free of charge for parts and labor performed at our national service center.
4. Because of varying climate conditions, this warranty does not cover changes in the finish, including rusting, pitting, corroding, tarnishing, or peeling.
5. This warranty is void and does not apply to damage from improper installation, neglect, accident, misuse, exposure to extremes of heat or humidity, or as a result of any modification to the original product.
6. All costs of removal and reinstallation of the fan are the sole responsibility of the owner of the fan and not the store that sold the fan or Fanimation.
7. Fanimation reserves the right to modify or discontinue any product at any time and may substitute any part under this warranty.
8. Under no circumstances may a fan be returned without prior authorization from Fanimation. The receipt of purchase must accompany authorized returns and must be sent freight prepaid to Fanimation. The fan to be returned must be properly packed to avoid damage in transit; Fanimation will not be responsible for any damage resulting from improper packaging.
9. It is understood that any repair or replacement is the exclusive remedy available from Fanimation. There is no other expressed or implied warranty. Fanimation hereby disclaims any and all implied warranties, including, but not limited to those of merchantability and fitness for a particular purpose to the extent permitted by law. Some states do not allow limitations on implied warranties. Fanimation will not be liable for incidental, consequential, or special damages arising out of or in conjunction with product use or performance, except as may otherwise be accorded by law. This warranty gives you special legal rights and you may also have other rights that vary from state to state.
10. A certain amount of wobble is normal and should not be considered a problem or a defect.

Table of Contents

Unpacking Instructions	3	Housing/Adapter Switch Cup Assembly	9
Energy Efficient Use of Ceiling Fans	4	Light Kit Assembly—FP8011OB-220 ONLY	10
Electrical and Structural Requirements	4	Pull Chain Operating Instructions	11
How to Assemble Your Ceiling Fan	5	Maintenance	11
How to Hang Your Ceiling Fan	6	Parts List	12
How to Wire Your Ceiling Fan	7	Exploded-View Drawing	13
Installing the Canopy Housing	7	Trouble Shooting	14
How to Assemble the Blades	8		

This Manual is Designed to Make it as Easy as Possible for You to Assemble, Install, Operate, and Maintain Your Ceiling Fan

Tools Needed for Assembly

- One Phillips head screwdriver
- One wire stripper
- One stepladder
- Three wire connectors (supplied)
- One ¼" blade screwdriver

Materials

Wiring outlet box and box connectors must be of type required by local code. The minimum wire would be a 3-conductor (2-wire with ground) of the following size:

Installed Wire Length	Wire Size A.W.G.
Up to 50 ft.	14
50 - 100 ft.	12

NOTE: Place the parts from the loose parts bags in a small container to keep them from being lost. If any parts are missing, contact your local retailer.

⚠ WARNING

Before assembling your ceiling fan, refer to section on proper method of wiring your fan (page 4). If you feel you do not have enough wiring knowledge or experience, have your fan installed by a licensed electrician.

Unpacking Instructions

For your convenience, check-off each step. As each step is completed, place a check mark. This will ensure that all steps have been completed and will be helpful in finding your place should you be interrupted.

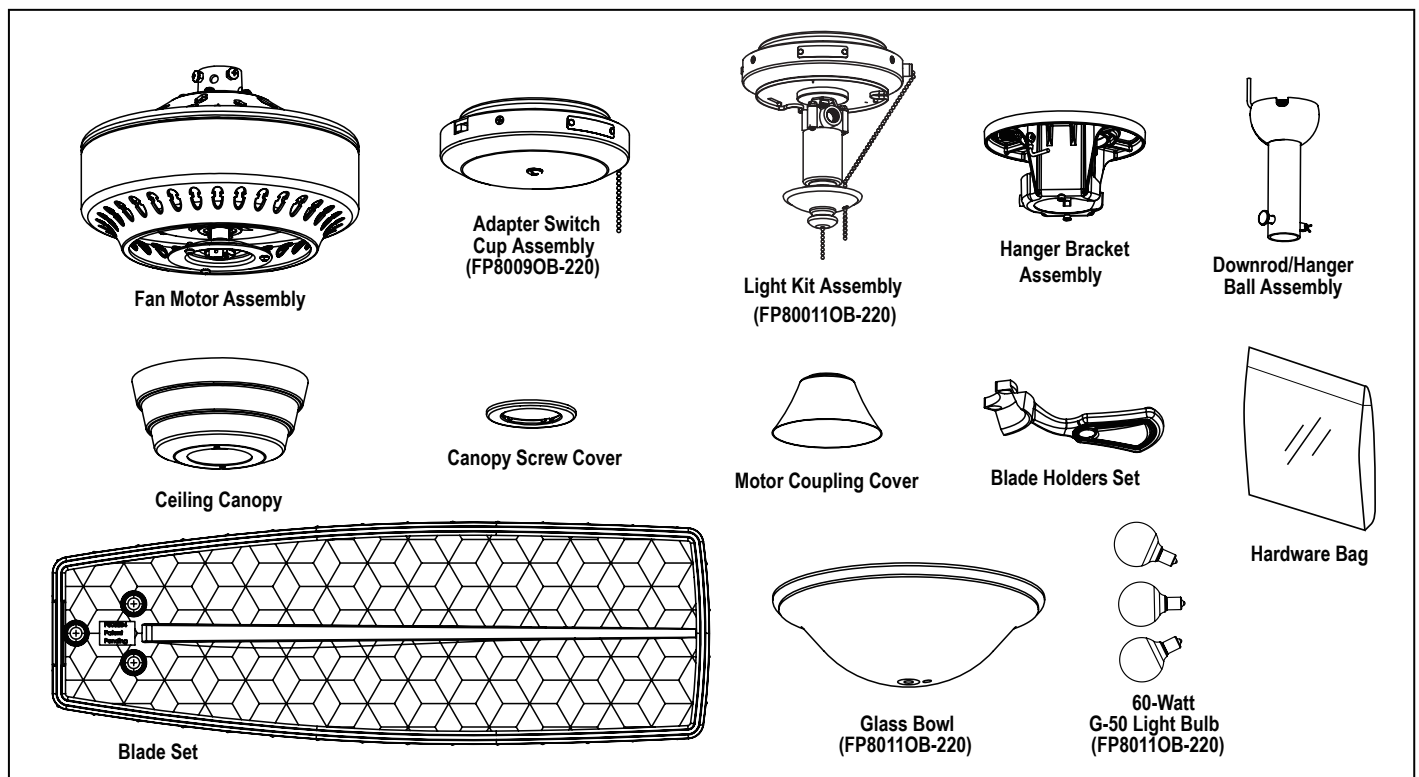
⚠ WARNING

Do not install or use fan if any part is damaged or missing. This product is designed to use only those parts supplied with this product and/or any accessories designated specifically for use with this product by Fanimation. Substitution of parts or accessories not designated for use with this product by Fanimation could result in personal injury or property damage. Contact your retail store for missing or damaged parts.

- Fan Motor Assembly
- Adapter Switch Cup Assembly (FP8009OB-220)
- Light Kit Assembly (FP8011OB-220)
- Hanger Bracket Assembly
- Downrod/Hanger Ball Assembly
- Ceiling Canopy
- Canopy Screw Cover
- Motor Coupling Cover
- Blade Holder Set
- Blade Set
- Glass Bowl (FP8011OB-220 only)
- Light Bulb (FP8011OB-220 only)
- Hardware bags:
 - ¼-20 x 14 screws with lock washers (blade holder to fan motor hub)
 - ¾-24 x 7.5 washer-head screws (blade to blade holder)
 - Fiber washers
 - Phillips screwdriver, 4"
 - Four wire connectors
 - Chain fob/coupler
 - Balance Kit
 - Pull Chain Kits Asm. Light Kit (FP8011OB-220 only)

1. Check to see that you have received the following parts:

NOTE: If you are uncertain of part description, refer to exploded view illustration. (Figure 1, page 11)



Energy Efficient Use of Ceiling Fans

Ceiling fan performance and energy savings rely heavily on the proper installation and use of the ceiling fan. Here are a few tips to ensure efficient product performance.

Choosing the Appropriate Mounting Location

Ceiling fans should be installed, or mounted, in the middle of the room and at least 2.3 M above the floor and 18 inches from the walls. If ceiling height allows, install the fan 8 - 9 feet above the floor for optimal airflow. Consult your Fanimation Retailer for optional mounting accessories.

Turn Off When Not in the Room

Ceiling fans cool people, not rooms. If the room is unoccupied, turn off the ceiling fan to save energy.

Using the Ceiling Fan Year Round

Summer Season: Use the ceiling fan in the counter-clockwise direction. The airflow produced by the ceiling fan creates a wind-chill effect, making you "feel" cooler. Select a fan speed that provides a comfortable breeze, lower speeds consume less energy.

Winter Season: Reverse the motor and operate the ceiling fan at low speed in the clockwise direction. This produces a gentle updraft, which forces warm air near the ceiling down into the occupied space. Remember to adjust your thermostat when using your ceiling fan - additional energy and dollar savings could be realized with this simple step!

Electrical and Structural Requirements

Your new ceiling fan will require a grounded electrical supply line of 220~240 volts AC, 50 Hz. The outlet box must be securely anchored and capable of withstanding a load of at least 35 lbs. **Figure 1** depicts different structural configurations that may be used for mounting the outlet box.

⚠ WARNING

To reduce the risk of fire, electrical shock, or personal injury, mount fan to outlet box marked acceptable for fan support. Use screws supplied with outlet box. Most outlet boxes commonly used for support of light fixtures are not acceptable for fan support and may need to be replaced. Consult a qualified electrician if in doubt.

⚠ WARNING

Turning off wall switch is not sufficient. To avoid possible electrical shock, be sure electricity is turned off at the main fuse box before wiring. All wiring must be in accordance with National and Local codes and the ceiling fan must be properly grounded as a precaution against possible electrical shock.

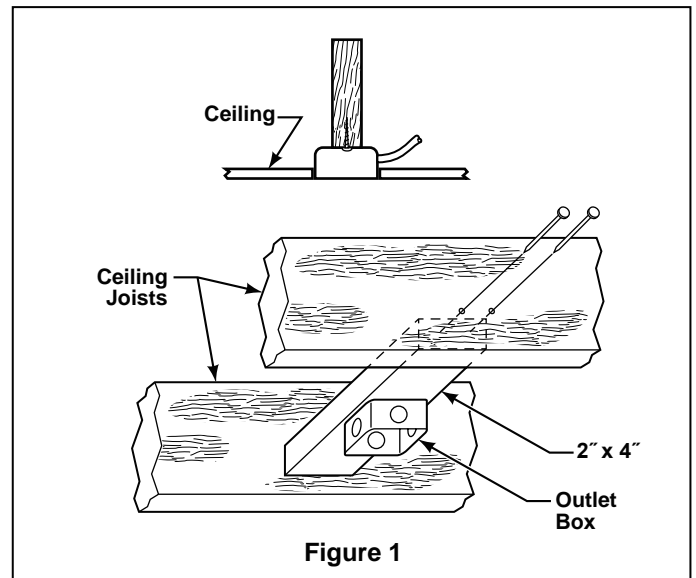


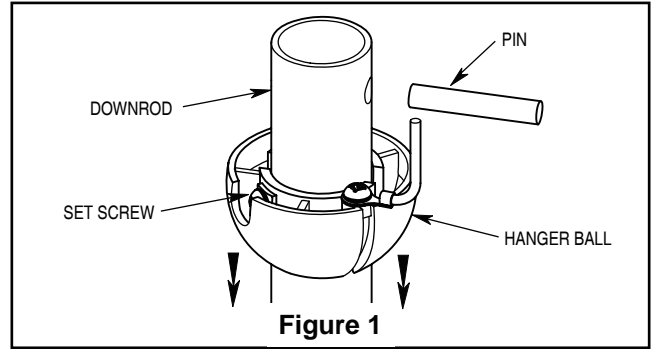
Figure 1

⚠ WARNING

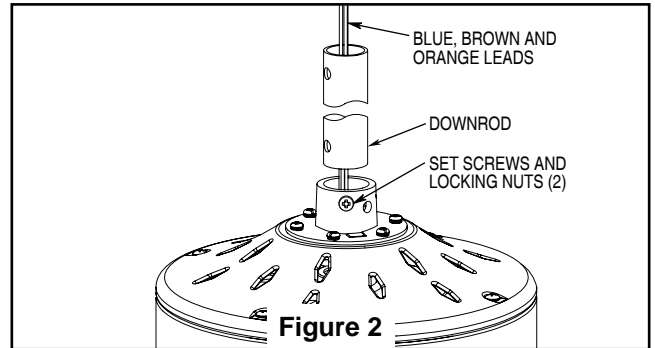
To avoid fire or shock, follow all wiring instructions carefully. Any electrical work not described in these instructions should be done or approved by a licensed electrician.

How to Assemble Your Ceiling Fan

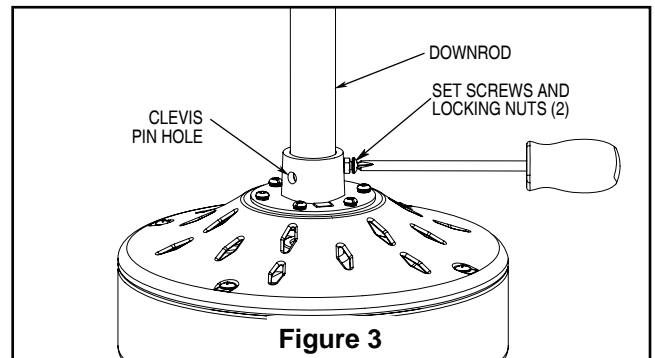
- 1. Remove the hanger ball portion from the downrod/hanger ball assembly by loosening the set screw in the hanger ball until the ball falls freely down the downrod. Remove the pin from the downrod, then remove the hanger ball. Retain the pin and hanger ball for reinstallation in Step 5. (Figure 1)



- 2. Loosen the two set screws in the downrod support of the motor assembly. Route the blue, brown and orange wires through the downrod. (Figure 2)

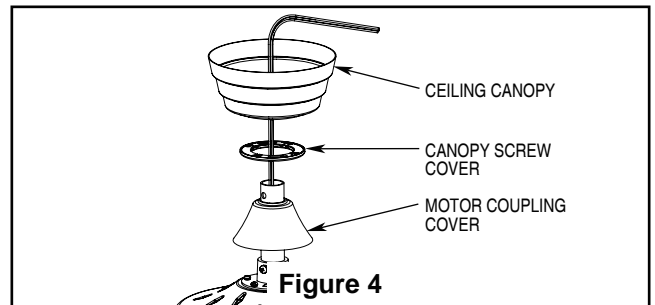


- 3. Slide downrod into the downrod support on top of the motor. Install the clevis pin by aligning the holes in the downrod support with holes in the downrod. Secure clevis pin with hairpin clip. Tighten the two set screws with nuts in the downrod support. (Figure 3)

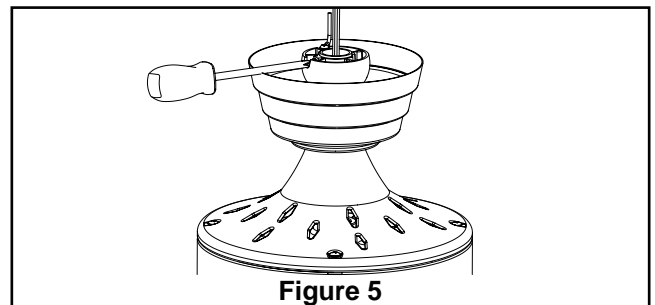


WARNING
It is critical that the clevis pin in the downrod support is properly installed and the set screws and nuts are securely tightened. Failure to do so could result in the fan falling.

- 4. Route wires through Motor Coupling Cover, Canopy Screw Cover and Ceiling Canopy. (Figure 4)



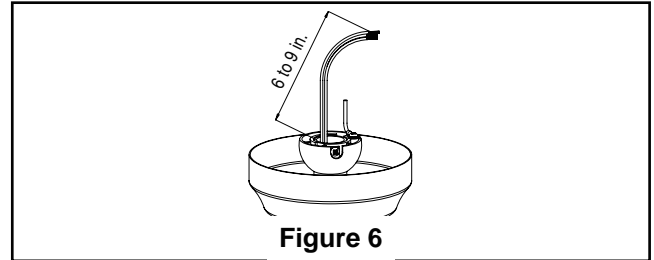
- 5. Reinstall the hanger ball on the downrod as follows. Route the three 80 in. wires through the hanger ball. Position the pin through the two holes in the downrod and align the hanger ball so the pin is captured in the groove in the top of the hanger ball. Pull the hanger ball up tight against the pin. Securely tighten the set screw in the hanger ball. A loose set screw could create fan wobble. (Figure 5)



How to Assemble Your Ceiling Fan (continued)

6. Cut off excess lead wire approximately 6 to 9 inches above top of the top of the downrod. Strip insulation off 1/2 inch from the end of each lead wire. (Figure 6)

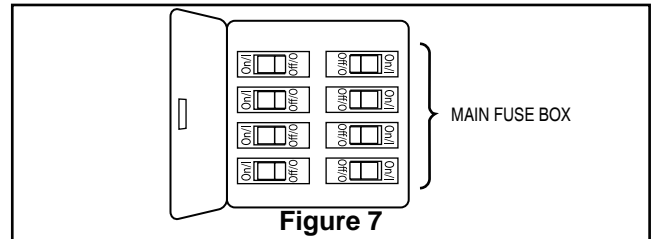
NOTE: All set screws must be checked, and retightened where necessary, before installation.



How to Hang Your Ceiling Fan

⚠ WARNING

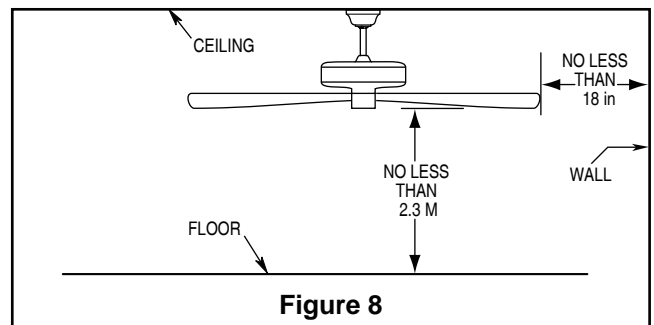
To avoid possible fire or shock, be sure electricity is turned off at the main fuse box before hanging. (Figure 7)



NOTE: If you are not sure if the outlet box is grounded, contact a licensed electrician for advise, as it must be grounded for safe operation.

⚠ WARNING

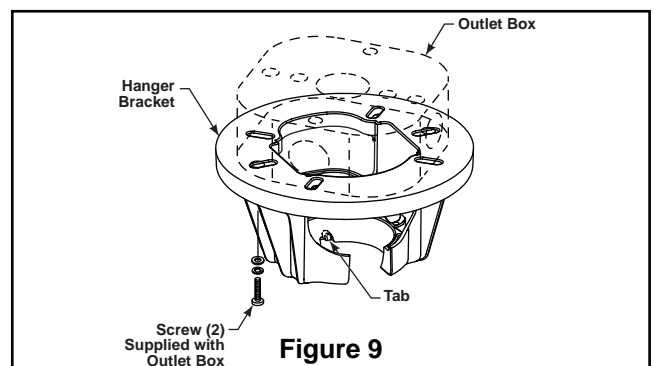
The fan must be hung with at least 2.3 M of clearance from floor to blades. (Figure 8)



1. Securely attach the hanger bracket to the outlet box using the outlet box screws and washers supplied with the outlet box. (Figure 9)

⚠ WARNING

The outlet box must be securely anchored. Hanger bracket must seat firmly against outlet box. If the outlet box is recessed, remove wall board until bracket contacts box. If bracket and /or outlet box are not securely attached, the fan could wobble or fall.



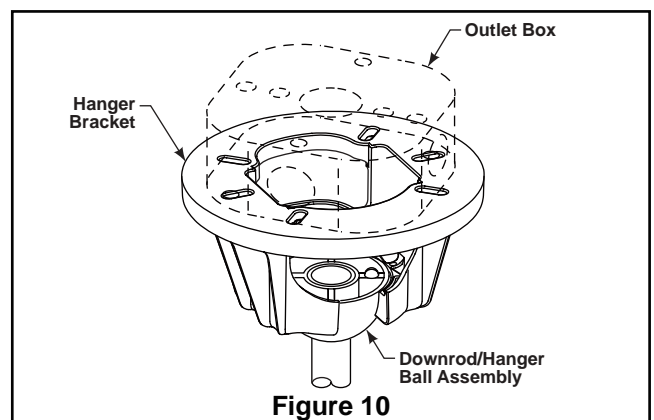
2. Carefully lift the fan and seat the downrod/hanger ball assembly on the hanger bracket that was just attached to the outlet box. Be sure the groove in the ball is lined up with tab on the hanger bracket. (Figure 10)

⚠ WARNING

Failure to seat tab in groove could cause damage to electrical wires and possible shock or fire hazard.

⚠ WARNING

To avoid possible shock, do not pinch wires between the hanger ball assembly and the hanger bracket.



How to Wire Your Ceiling Fan

If you feel that you do not have enough electrical wiring knowledge or experience, have your fan installed by a licensed electrician.

⚠ WARNING

To avoid possible fire or shock, be sure electricity is turned off at the main fuse box before wiring. (Figure 11)

⚠ WARNING

To avoid possible electrical shock, be sure electricity is turned off at the main fuse box before wiring.
NOTE: If you are not sure if the outlet box is grounded, contact a licensed electrician for advice, as it must be grounded for safe operation.

1. Connect the green grounding lead from the hanger ball and the green grounding lead from the hanger bracket to the supply grounding conductor (this may be a bare wire or wire with green colored insulation). Securely connect wires with wire connectors supplied.
2. Securely connect the blue fan motor wire to the blue supply (neutral) wire using wire connector supplied. Securely connect the brown fan motor wire and orange wire to the live supply (normally black but marked as a live supply with red sleeving) (Figure 12). Make sure all connections are secure.

⚠ WARNING

Check to see that all connections are tight, including ground, and that no bare wire is visible at the wire connectors, except for the ground wire. Do not operate fan until the blades are in place. Noise and motor damage could result.

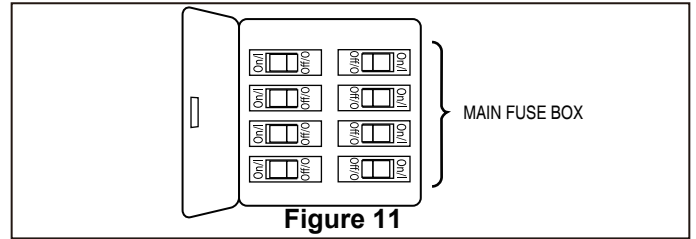


Figure 11

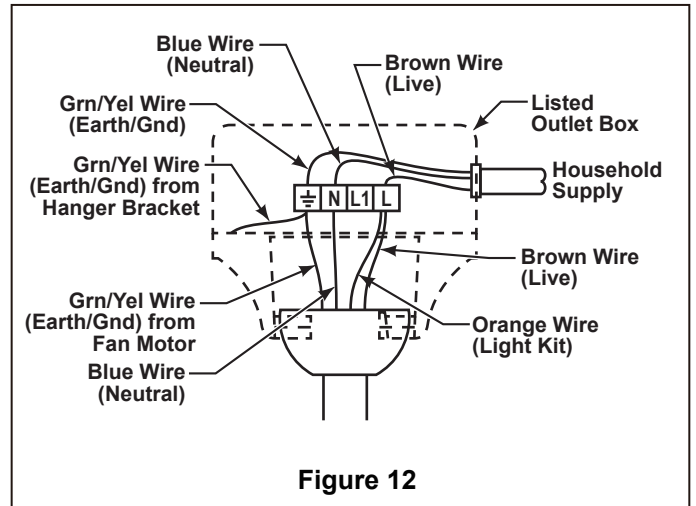


Figure 12

Installing the Canopy Housing

1. Remove the two shoulder screws in the hanger bracket. Align holes in the canopy with holes in the hanger bracket and securely attach canopy using the two shoulder screws from the hanger bracket. (Figure 13)

⚠ WARNING

To avoid possible fire or shock, make sure that the electrical wires are completely inside the canopy housing and not pinched between the housing and the ceiling.

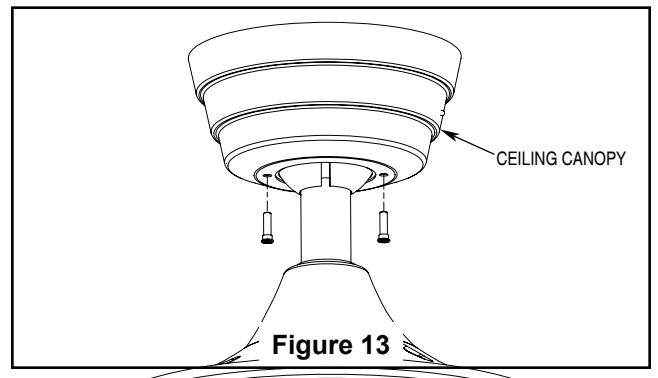
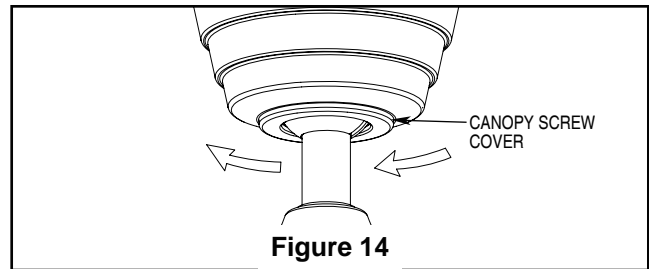


Figure 13

Installing the Canopy Housing (continued)

- 2. Securely attach and tighten the canopy screw cover over the shoulder screws in the hanger bracket utilizing the key slot twist-lock feature. (Figure 14)

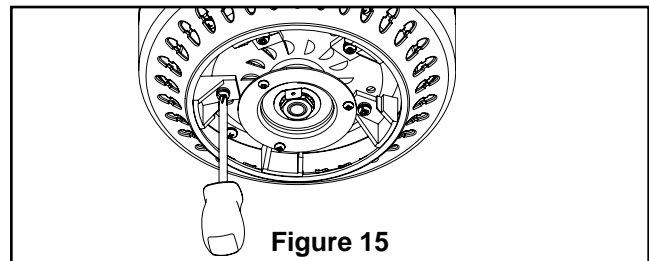


How to Assemble the Blades

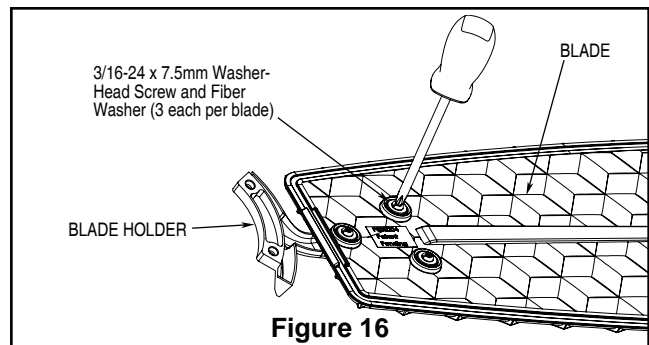
- 1. Remove and discard the five rubber motor stops from the motor assembly by removing the screws. (Figure 15)

CAUTION

Do not connect fan blades until the fan is completely installed. Installing the fan with blades assembled may result in damage to the fan blades.



- 2. Position the blade over the blade holder with threaded posts showing. Make sure the bottom edge of the blade is fully seated against the blade arm. With a Phillips screwdriver, tighten 3/16-24x7.5 mm washer head screws with fiber washers to secure the blade to the blade arm. (Figure 16)



HARDWARE USED:

3/16-24 x 7.5 mm
WASHER-HEAD
SCREWS X 15

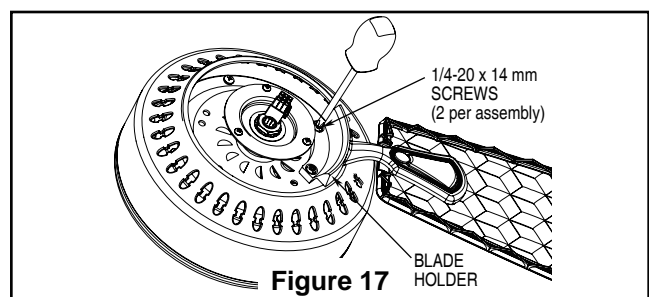
FIBER WASHER X 15

- 3. Attach blade holders to the motor hub using the 1/4-20x14 mm screws. (Figure 17)

NOTE: Periodically check blade holder hardware and resecure if necessary.

CAUTION

To reduce the risk of personal injury, do not bend the blade holders when installing, balancing the blades or cleaning the fan. Do not insert foreign objects in between the rotating blades.

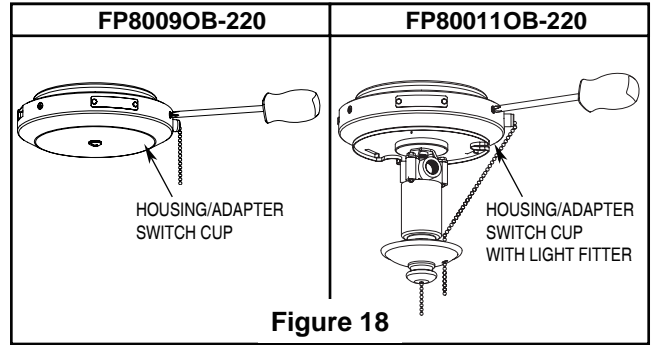


HARDWARE USED:

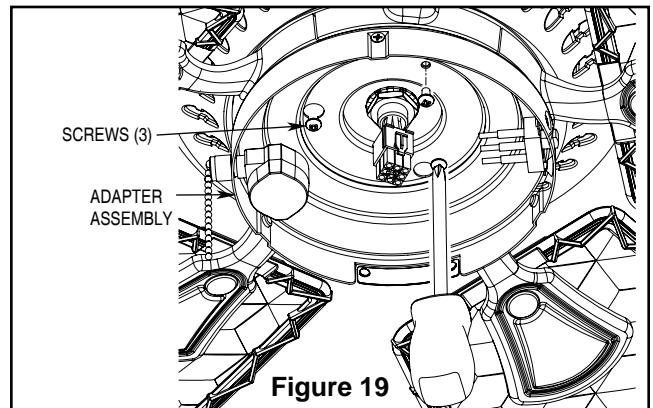
1/4-20 x 14 mm
SCREWS X 10

Housing/Adapter Switch Cup Assembly

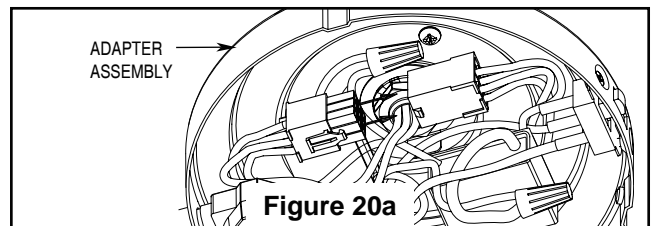
- 1. Disassemble the housing adapter switch cup assembly by removing three screws. (Figure 18)



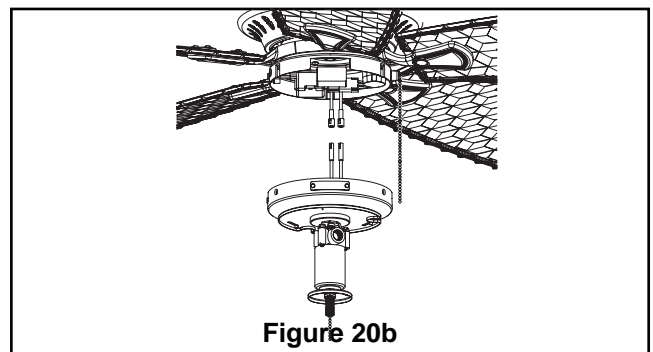
- 2. Remove one of the three screws in the support bracket. Slightly loosen the remaining two screws. Assemble the adapter assembly to the housing support bracket using the two key slots in the adapter assembly. Replace the third screw and securely tighten all three screws. (Figure 19)



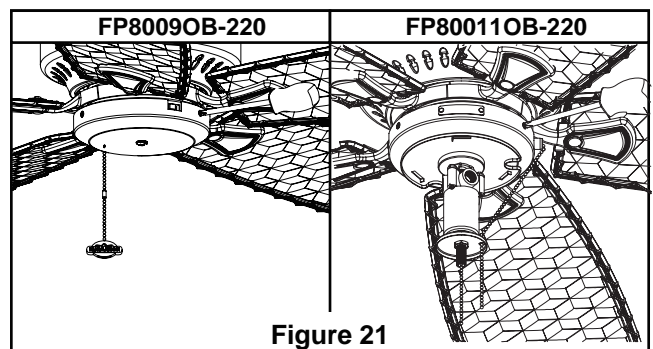
- 3a. Securely attach the 9-pin switch cup connector to the wiring harness socket within the adapter assembly. (Figure 20a)



- 3b. <<FP8011OB-220 ONLY>> Connect the 2-pin connector from the switch cup housing light fitter to the 2-pin connector from the motor assembly. (Figure 20b)



- 4. Install the housing switch cup onto the assembled adapter with the three screws removed in step 1. (Figure 21)



Light Kit Assembly—FP80110B-220 ONLY

1. Install included bulbs into each of the three sockets. (Figure 22)

CAUTION

To reduce the risk of electric shock, disconnect the electrical supply circuit to the fan before installing light kit.

Use only with light kits marked suitable for use in Damp Locations.

2. Secure glass bowl to light fitter using supplied nut. Next, install trim cover followed by the finial. Do not over tighten. (Figure 23)

3. Install pull chains and fobs. (Figure 24)

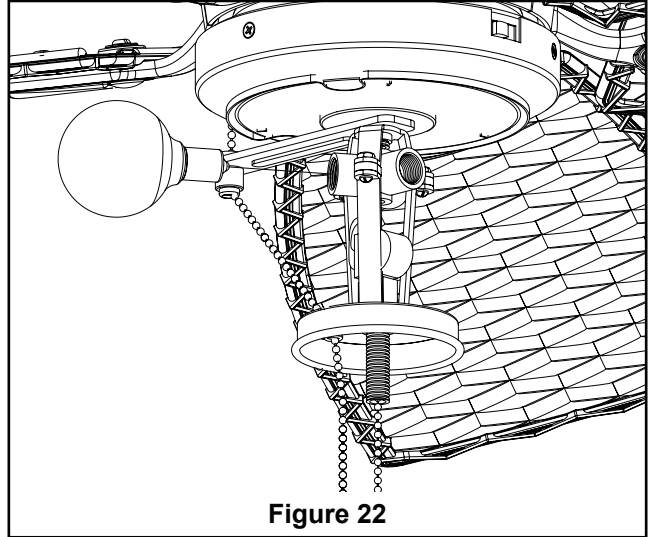


Figure 22

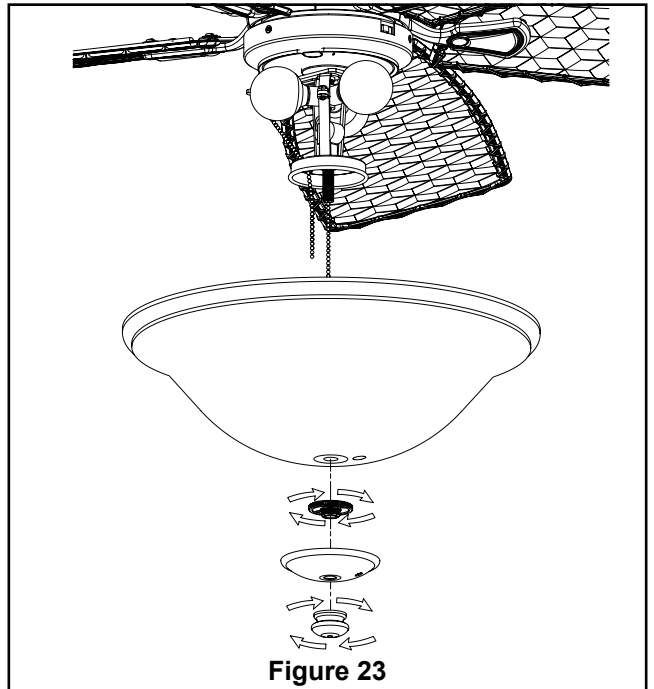


Figure 23

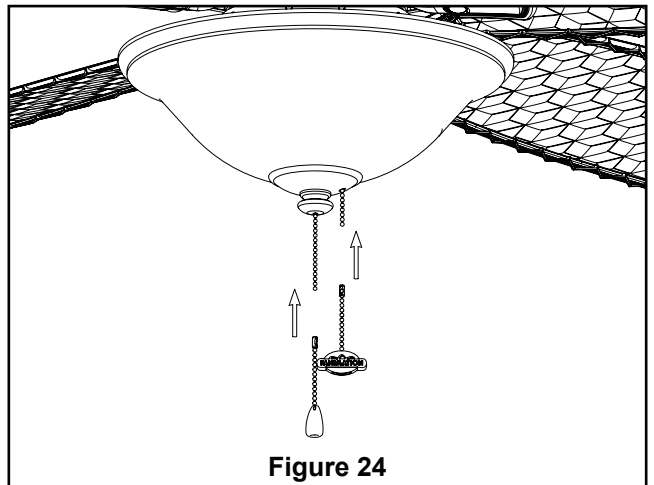
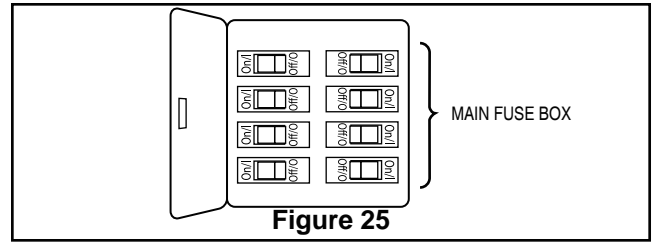


Figure 24

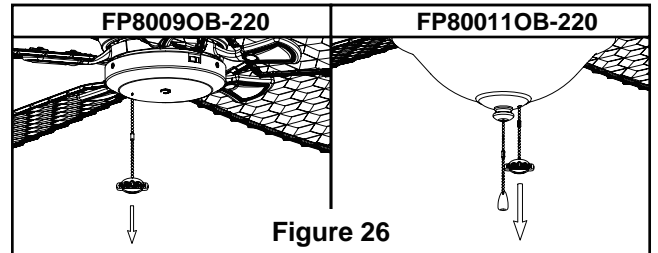
Pull Chain Operating Instructions

1. Restore electrical power to the outlet box by turning the electricity on at the main fuse box. (Figure 25)



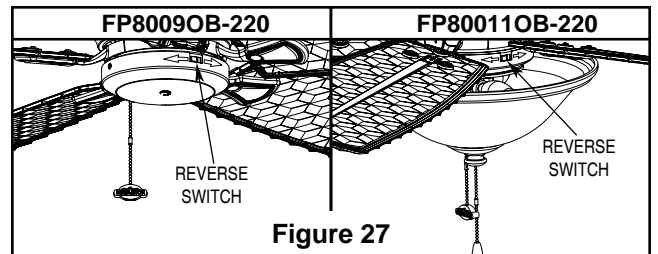
2. Check the operation of the fan by gently pulling on the fan speed pull chain. (Fig. 26)

Pull Chain Operating Sequence	
1 st Pull	High
2 nd Pull	Medium
3 rd Pull	Low
4 th Pull	Off

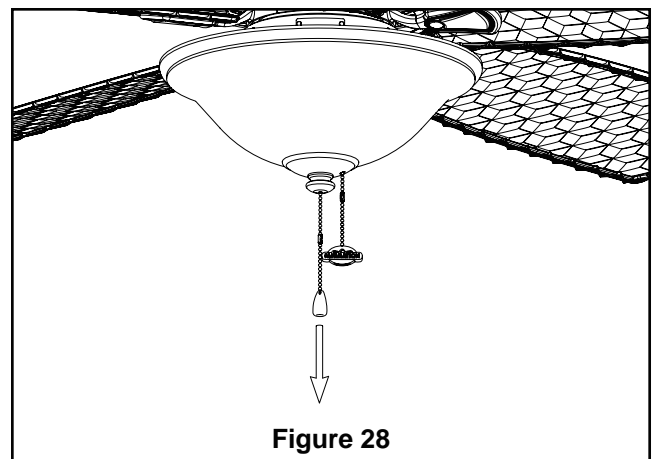


3. If airflow is desired in the opposite direction, turn the fan off and wait for the blades to stop turning. Then slide the reverse switch to the opposite position and turn fan on again. Your fan model is equipped with a 4-position, 3-speed, pull chain switch. (Figure 27)

Reverse Switch Information		
Season	Rotation Direction	Switch Position
Summer	Counter-Clockwise	Left
Winter	Clockwise	Right



4. <<FP8011OB-220 ONLY>>
Check the operation of the down light by gently pulling on the light pull chain. (Figure 28)



Maintenance

Periodic cleaning of your new ceiling fan is the only maintenance necessary.

When cleaning, use only a soft brush or lint free cloth to avoid scratching the finish.

Abrasive cleaning agents are not required and should be avoided to prevent damage to finish.



CAUTION

Do not use water when cleaning your ceiling fan. It could damage the motor or the blades and create the possibility of electrical shock.

Parts List

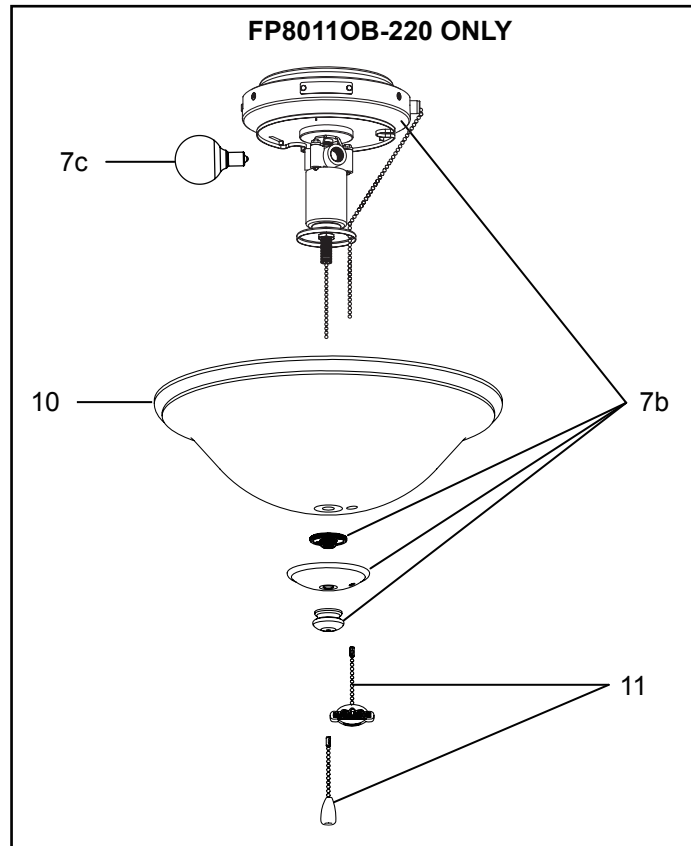
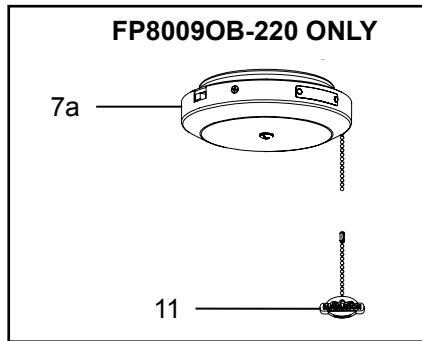
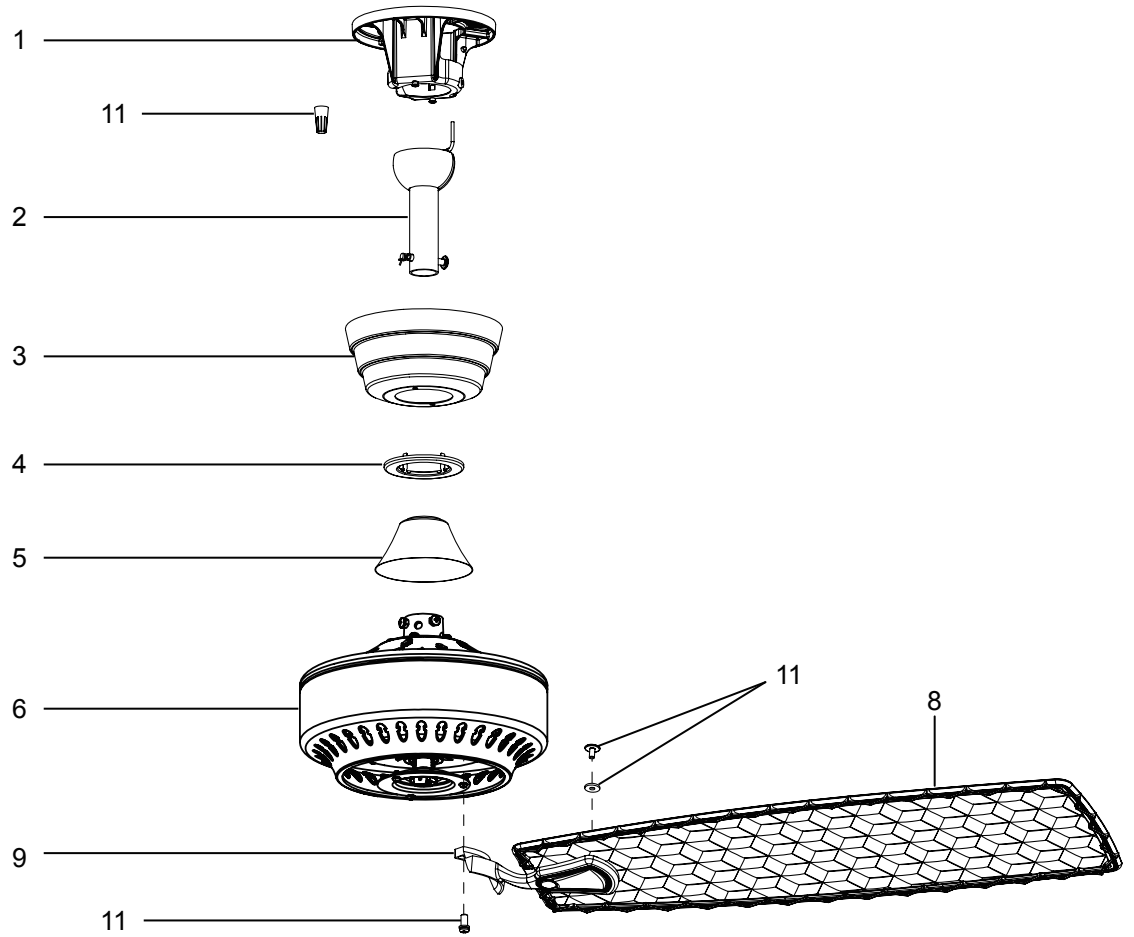
Models FP8009OB-220 & FP8011OB-220

Ref. #	Description	FP8009OB-220	FP8011OB-220
1	Hanger Bracket Assembly	AP255BL-220	AP255BL-220
2	Downrod/Hanger Ball Assembly:	ADR1-45OB	ADR1-45OB
3	Ceiling Canopy	PG165OB	PG165OB
4	Canopy Screw Cover	AP260OB	AP260OB
5	Motor Coupling Cover	AP1115OB	AP1115OB
6	Fan Motor Assembly	AMA8009OB-220	AMA8011OB-220
7a	Adapter Switch Cup Assembly	AP800901OB-220	—
7b	Light Kit Assembly	—	AP801102OB-220
7c	Light Bulb(3)	—	PPE14B60-220
8	Blade Set	AP805204DBR	AP805204DBR
9	Blade Holder Set	AP800903OB	AP800903OB
10	Glass Bowl—Frosted White	—	P801102FW
11	Hardware Bag	HDWFP8009OB	HDWFP8011OB
	Loose Hardware Bag:		
	<i>Blade Balance Kit</i>		
	<i>Chain Coupler</i>		
	<i>Chain Fob</i>		
	<i>Wire Connectors (4)</i>		
	<i>Pull Chain Kit—Light (FP8011OB only)</i>		
	Blade Holder Mounting Hardware Bag:		
	<i>¼–20 x ½" Phillips Head Screws, with Lock Washers</i>		
	Blade Mounting Hardware Bag:		
	<i>3/16"–24 x 7.5 mm Washer-Head Screws</i>		
	<i>Fiber Washers</i>		
<i>4" Phillips Screwdriver</i>			

Before discarding packaging materials, be certain all parts have been removed

How To Order Parts
<p>When ordering repair parts, always give the following information:</p> <ul style="list-style-type: none"> • Part Number • Part Description • Fan Model Number <p>Contact your retail store for repair parts.</p>

FP8009OB-220 & FP8011OB-220 Exploded-View



NOTE: The illustration shown is not to scale or its actual configuration may vary

Trouble Shooting

⚠ WARNING

For your own safety turn off power at fuse box or circuit breaker before trouble shooting your fan.

Trouble	Probable Cause	Suggested Remedy
1. FAN WILL NOT START	1. Fuse or circuit breaker blown.	1. Check main and branch circuit fuses or circuit breakers.
	2. Loose power line connections to the fan, or loose switch wire connections in the switch housing.	2. Check line wire connections to fan and switch wire connections in the switch housings.
	3. Reversing switch in neutral position.	<p style="text-align: center;">CAUTION: Make sure main power is turned off !</p> 3. Make sure reversing switch position is all the way to one side.
2. FAN SOUNDS NOISY	1. Blades not attached to fan.	1. Attach blades to fan before operating.
	2. Loose screws in motor housing.	2. Check to make sure all screws in motor housing are snug (not over-tight).
	3. Screws securing fan blade holders to motor flywheel are loose.	3. Check to make sure the screws which attach the fan blade holders to the motor flywheel are tight.
	4. Wire connectors inside housing rattling.	4. Check to make sure wire connectors in switch housing are not rattling against each other or against the interior wall of the switch housing.
	5. Motor noise caused by solid state variable speed control.	<p style="text-align: center;">CAUTION: Make sure main power is turned off !</p> 5. Some fan motors are sensitive to signals from solid-state variable speed controls. Solid-state controls are not recommended, choose an alternative control method.
	6. Screws holding blades to blade holders are loose.	6. Tighten screws securely.
	7. Lower housing support set screw loose.	7. Tighten set screw securely.
3. FAN WOBBLER EXCESSIVELY	1. Setscrew in downrod support is loose.	1. Tighten both setscrews securely in downrod support.
	2. Setscrew in downrod/hanger ball assembly is loose.	2. Tighten the setscrew in the downrod/hanger ball assembly.
	3. Screws securing fan blade holders to motor hub are loose.	3. Check to be sure screws which attach the fan blade holders to the flywheel are tight.
	4. Blade holders not seated properly.	4. Check to be sure the fan blade holders seat firmly and uniformly to the surface of the motor housing. If holders are seated incorrectly, loosen the screws and retighten.
	5. Hanger bracket and/or ceiling outlet box is not securely fastened.	5. Tighten the hanger bracket screws to the outlet box, and secure outlet box.
	6. Fan blades out of balance.	6. Interchanging position of fan blades can redistribute the weight and result in a smoother operation. For example, exchange blades in positions 1 and 3 or 1 and 4. If this does not improve wobble, exchange 2 and 3 or 2 and 4.
4. NOT ENOUGH AIR MOVEMENT		1. If possible, consider using a longer downrod. For example, use a 12" downrod instead of the 4.5" downrod that comes with your fan.



10983 Bennett Parkway
Zionsville, IN 46077
Toll Free (888) 567-2055
FAX (866) 482-5215

Outside U.S. call (317) 733-4113

Visit Our Website @ www.fanimation.com