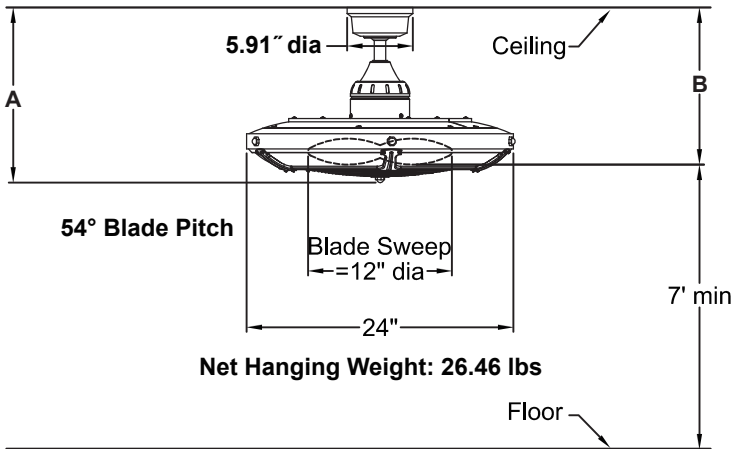


**PICKETT DRUM™**

**FP6260\*\*  
Ceiling Fan**



**INSTALLATION REQUIREMENTS:**

Fan must be attached to a securely anchored electrical junction box capable of withstanding a load of at least 35 lbs.

**ELECTRICAL REQUIREMENTS:**

Requires a grounded electrical supply line of 120 volts AC, 60 Hz, 15 amp circuit.

**MOTOR SPECS:**

82 x 25 AC motor is designed for optimal performance with this fan.

**LIGHTING OPTIONS:**

23-watt LED included.

**CONTROL OPTIONS:**

TR400 hand-held remote control is included. Push button remote control has 3 fan speeds, infinite light levels, fan/light timer and off button. The reverse switch is located on the top housing. Optional CW1SW, CW2 and C25 wall controls available—sold separately. Optional BTCR9 and CRL4WH remote controls with receiver unit and BTR9 receiver unit are available—sold separately. Instructions are provided with each control.

**DOWNROD OPTIONS:**

Fan comes with 1" dia. x 4.5" long downrod (DR1-45). Optional downrods available in 12", 18", 24", 36", 48", 60", and 72" lengths. A downrod coupler is available for installations requiring a downrod longer than 72". Fan can be mounted on a sloped ceiling upto 27°. Most sloped ceiling installations require a downrod longer than the standard 4.5" downrod. Optional sloped ceiling ball kits (SCB1-52) are available for slope angles greater than 27° and up to 42°. Optional close-to-ceiling kit is available as well—sold separately. Call technical support for more information.

**LOCATION USE:**

Fan is rated for dry and damp locations.

	A	B
Fan w/4.5" downrod	16.60"	14.10"
Fan w/12" downrod	24.10"	21.60"
Fan w/18" downrod	30.10"	27.60"
Fan w/24" downrod	36.10"	33.60"
Fan w/36" downrod	48.10"	45.60"
Fan w/48" downrod	60.10"	57.60"
Fan w/60" downrod	72.10"	69.60"
Fan w/72" downrod	84.10"	81.60"

Available Finish	
BLBN	Black with Brushed Nickel Accent and Black Blade
BLBS	Black With Brushed Satin Brass Accent and Black Blade

Airflow / Energy Efficiency Info (120V)					
Fan Speed	Max RPM	CFM	CFM / Watts	Amps	Watts
High	1050	891	22	0.34	40
Med	657	553	23	0.26	24
Low	475	388	24	0.21	17

Energy Guide FTC			
Power (Watt)	Total Air Delivery (CFMave)	Estimated Yearly Energy Cost (\$)	Ceiling Fan Efficiency (CFM/W)
33	705	\$ 9	21

Light Bulb Information (120V)				
Bulb Type	Watts	Lumens Amount	Color Temp	CRI
LED	23	2200	3000	90%