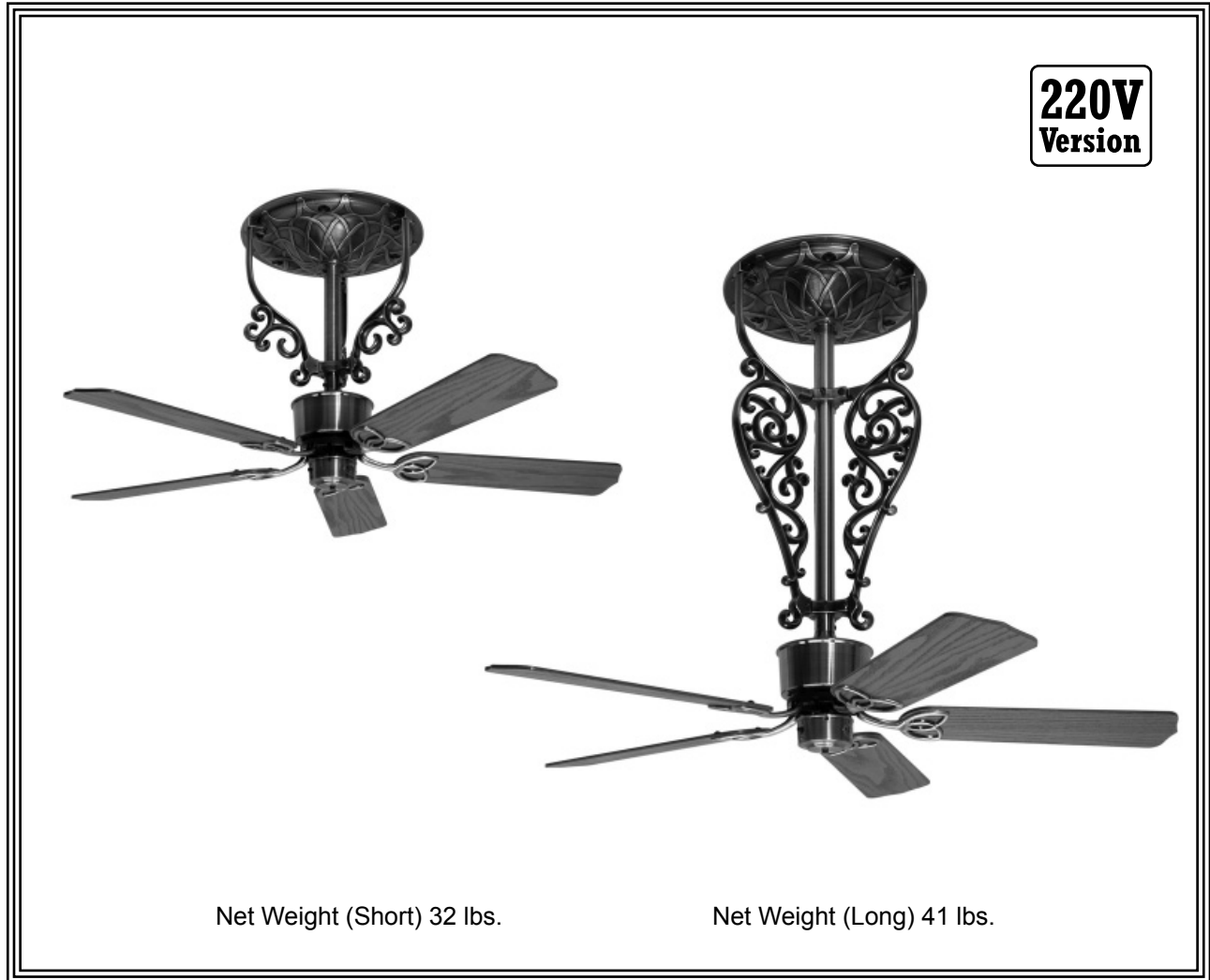


# The Americana<sup>®</sup>

## Ceiling Fan



**Model No. FP410\_-220 Short**  
**Model No. FP420\_-220 Long**

**OWNER'S MANUAL**  
**READ AND SAVE THESE INSTRUCTIONS**

**FANIMATION<sup>®</sup>**

## Important Safety Instructions

**WARNING: To avoid fire, shock and serious personal injury, follow these instructions.**

1. Read your owner's manual and safety information before installing your new fan. Review the accompanying assembly diagrams.
2. Before servicing or cleaning unit, switch power off at service panel and lock service panel disconnecting means to prevent power from being switched on accidentally. When the service disconnecting means cannot be locked, securely fasten a warning device, such as a tag, to the service panel.
3. Be careful of the fan and blades when cleaning, painting, or working near the fan. Always turn off the power to the ceiling fan before servicing.
4. Do not insert anything into the fan blades while the fan is operating.
5. Do not operate reversing switch until fan blades have come to a complete stop.

## Additional Safety Instructions

1. To avoid possible shock, be sure electricity is turned off at the fuse box before wiring, and do not operate fan without blades.
2. All wiring and installation procedures must satisfy National Electrical Codes (ANSI/ NFPA 70-1999). Use the National Electrical Code if Local Codes do not exist. The ceiling fan must be grounded as a precaution against possible electrical shock. Electrical installation should be made or approved by a licensed electrician.
3. The fan base must be securely mounted and capable of reliably supporting at least 100 lbs. (fan and accessories not to exceed 35 lbs. or 16 kgs.). Outlet boxes are not acceptable for fan support. See page 4 of owner's manual for support requirements. Consult a qualified electrician if in doubt.
4. **CAUTION:** To reduce the risk of personal injury, mount the fan base to a ceiling joist or structural member using the hardware provided with your fan.

**WARNING:** Support Directly from Building Structure.

5. The fan must be mounted with the fan blades at least 7 feet from the floor to prevent accidental contact with the fan blades.

6. Follow the recommended instructions for the proper method of wiring your ceiling fan. If you do not have adequate electrical knowledge or experience, have your fan installed by licensed electrician.

7. Suitable for use with solid-state speed controls.

**WARNING:** To reduce the risk of fire or electric shock, this fan should only be used with Fan Speed Control Part No. UC7051R, manufactured by Rhine Electronic Co., Ltd.

**WARNING:** TO REDUCE THE RISK OF SHOCK, THIS FAN MUST BE INSTALLED WITH AN ISOLATING WALL CONTROL/SWITCH.

**WARNING:** This product is designed to use only those parts supplied with this product and/or accessories designated specifically for use with this product. Using parts and/or accessories not designated for use with this product could result in personal injury or property damage.

**WARNING:** To reduce the risk of personal injury, do not bend the blade bracket (flange or blade holder) when installing the brackets, balancing the blades, or cleaning the fan. Do not insert foreign objects in between rotating fan blades.

## LIMITED LIFETIME WARRANTY

**Extends to the original purchaser of a Fanimation Fan**

1. **LIMITED LIFETIME MOTOR WARRANTY** - If any part of your fan motor fails, due to a defect in materials or workmanship during the lifetime of the original purchaser, Fanimation will provide the replacement part free of charge, when the defective fan is returned to our national service center. Proof of purchase is required. Customer shall be responsible for all costs incurred in the removal or reinstallation and shipping of the product for repairs or replacement.
2. **ONE YEAR MOTOR LABOR WARRANTY** - If your fan motor fails at any time within one year from the original purchase, due to defects in materials or workmanship, labor to repair the motor will be provided free of charge at our national service center. Purchaser will be responsible for labor charges after this one-year period. Customer shall be responsible for all costs incurred in the removal or reinstallation and shipping of the product for repairs or replacement.
3. If any other part of your fan fails at any time within one year after original purchase, due to a defect in materials or workmanship, we will repair, or replace, at our option, the defective part free of charge for parts and labor performed at our national service center.
4. Because of varying climate conditions, this warranty does not cover changes in the finish, including rusting, pitting, corroding, tarnishing, or peeling.
5. This warranty is void and does not apply to damage from improper installation, neglect, accident, misuse, exposure to extremes of heat or humidity, or as a result of any modification to the original product.
6. All costs of removal and reinstallation of the fan are the sole responsibility of the owner of the fan and not the store that sold the fan or Fanimation.
7. Fanimation reserves the right to modify or discontinue any product at any time and may substitute any part under this warranty.
8. Under no circumstances may a fan be returned without prior authorization from Fanimation. The receipt of purchase must accompany authorized returns and must be sent freight prepaid to Fanimation. The fan to be returned must be properly packed to avoid damage in transit; Fanimation will not be responsible for any damage resulting from improper packaging.
9. It is understood that any repair or replacement is the exclusive remedy available from Fanimation. There is no other expressed or implied warranty. Fanimation hereby disclaims any and all implied warranties, including, but not limited to those of merchantability and fitness for a particular purpose to the extent permitted by law. Some states do not allow limitations on implied warranties. Fanimation will not be liable for incidental, consequential, or special damages arising out of or in conjunction with product use or performance, except as may otherwise be accorded by law. This warranty gives you special legal rights and you may also have other rights that vary from state to state.
10. A certain amount of wobble is normal and should not be considered a problem or a defect.

## Table of Contents

Unpacking Instructions .....	3
Mounting Instructions .....	4
Electrical Requirements .....	4
How to Wire Your Fan - Pull Chain .....	5
Operating Instructions - Pull Chain .....	5
Mounting the Fan Blades .....	6
Maintenance .....	6
Blade Cleaning .....	6
Trouble Shooting .....	7
Parts List .....	8
Exploded-View Drawing .....	9

# This Manual is Designed to Make it as Easy as Possible for You to Assemble, Install, Operate, and Maintain Your Ceiling Fan

## Tools Needed for Assembly

- One Phillips head screwdriver
- One stepladder
- One 1/4" blade screwdriver
- One wire stripper
- Three wire connectors (supplied)
- 7/16", 1/2" & 9/16" wrench or socket wrench

### **WARNING**

Before assembling your ceiling fan, refer to section on proper method of wiring your fan (page 5). If you feel you do not have enough wiring knowledge or experience, have your fan installed by a licensed electrician.

## Materials

Wiring outlet box and box connectors must be of type required by local code. The minimum wire would be a 3-conductor (2-wire with ground) of the following size:

Installed Wire Length	Wire Size A.W.G.
Up to 50 ft.	14
50 - 100 ft.	12

**NOTE:** Place the parts from the loose parts bags in a small container to keep them from being lost. If any parts are missing, contact your local retailer.

## Unpacking Instructions

For your convenience, check-off each step. As each step is completed, place a check mark. This will ensure that all steps have been completed and will be helpful in finding your place should you be interrupted.

### **WARNING**

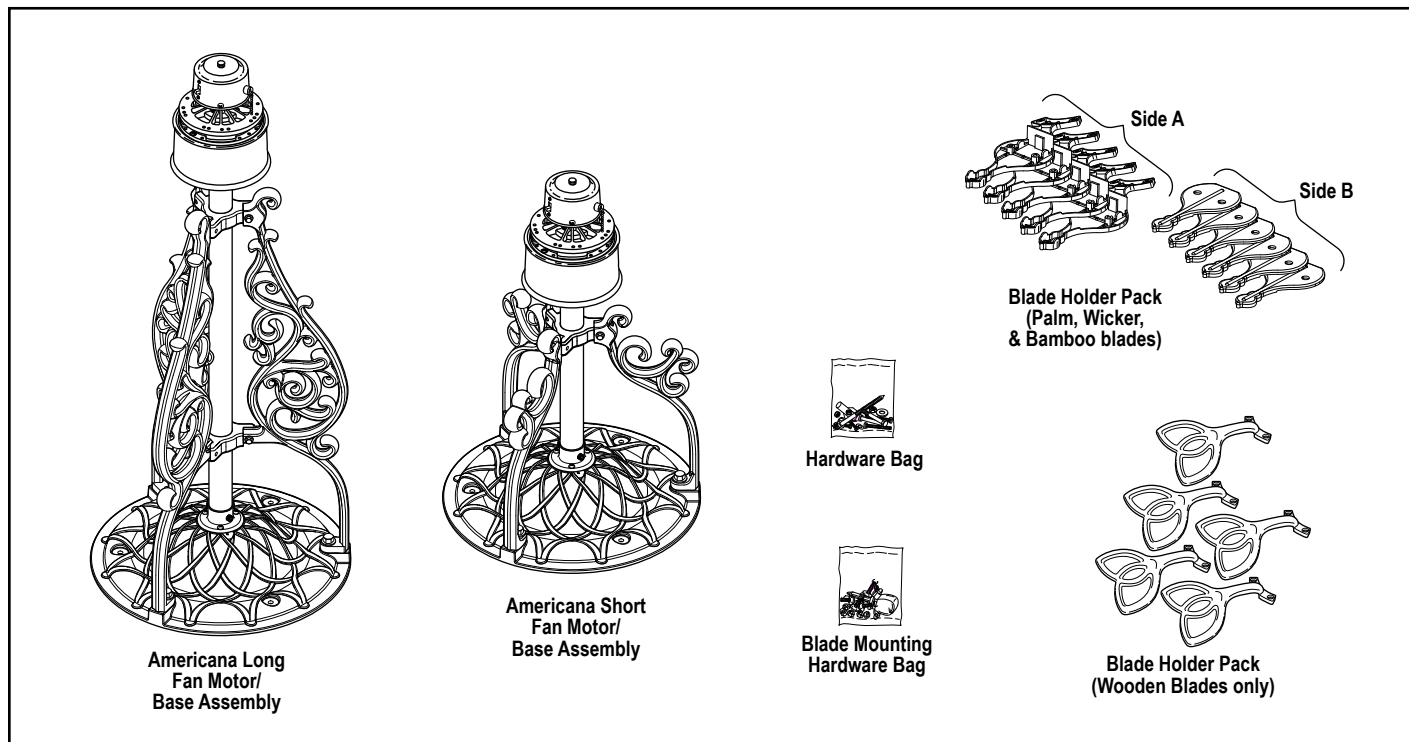
Do not install or use fan if any part is damaged or missing. This product is designed to use only those parts supplied with this product and/or any accessories designated specifically for use with this product by Fanimation. Substitution of parts or accessories not designated for use with this product by Fanimation could result in personal injury or property damage. Contact your retail store for missing or damaged parts.

Check to see that you have received the following parts:

- Fan Motor/Base Assembly
- Blade Holder pack (5)
- Blade Mounting Hardware Bag
- Hardware bag:
  - Three 3" lag bolts
  - Three 5/16" washers
  - Three wire connectors
  - 10-32 x 1/2" flywheel screws (10 pcs)

**NOTE:** Blades are sold separately.

**NOTE:** If you are uncertain of part description, refer to exploded view illustration. (Figure 7, page 9)



## Mounting Instructions

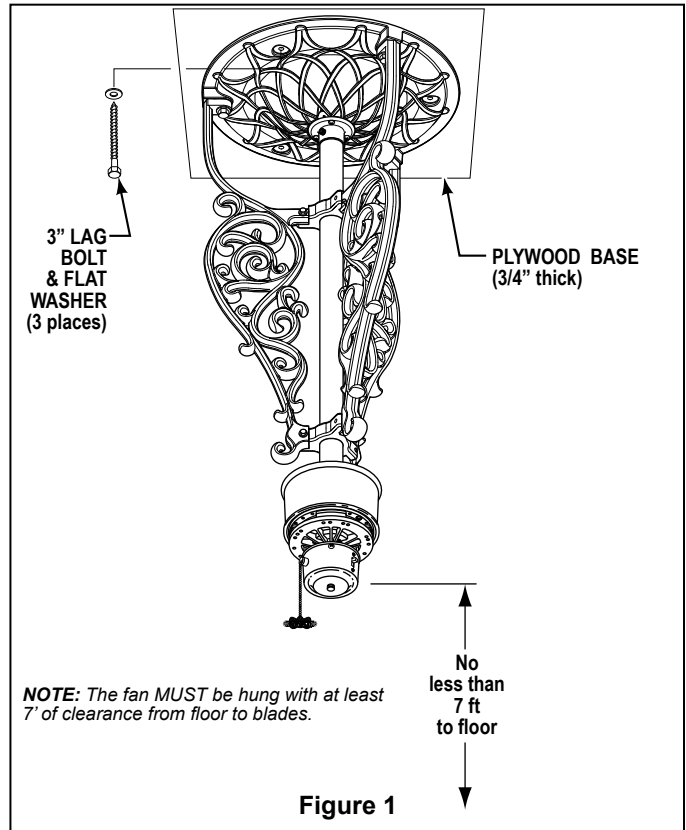
### **⚠ WARNING**

Do not install or use fan if any part is damaged or missing. This product is designed to use only those parts supplied with this product and/or any accessories designated specifically for use with this product by Fanimation. Substitution of parts or accessories not designated for use with this product by Fanimation could result in personal injury or property damage. Contact your retail store for missing or damaged parts.

1. You will first drill a 1/4" pilot hole into the plywood base or supporting member to prevent splitting or cracking. Mount the assembled fan on the ceiling with 3 lag bolts and flat washers.
2. While supporting the Fan Motor/Base Assembly, screw the lag bolts approximately "half-way" to allow enough space between ceiling panel and fan base, in order to properly wire your fan.
3. After the connections have been made, tighten the lag bolts to secure fan base assembly to the ceiling, making sure that the electrical wires are completely inside the base assembly and not pinched between the base and the ceiling.

### **INSTALLATION NOTE**

Do not connect fan blades until the fan is completely installed. Installing the fan with blades assembled may result in damage to the fan blades.



## Electrical Requirements

Your new floor fan will require a grounded electrical supply line of 220 volts AC, 50 Hz circuit. The fan base must be securely anchored.

### **⚠ WARNING**

Turning off wall switch is not sufficient. To avoid possible electrical shock, be sure electricity is turned off at the main fuse box before wiring. All wiring must be in accordance with National and Local codes and the ceiling fan must be properly grounded as a precaution against possible electrical shock.

### **⚠ WARNING**

To avoid possible fire or shock, make sure that the electrical wires are completely inside the base assembly and not pinched between the base and the ceiling.

### **⚠ WARNING**

To reduce the risk of fire, electrical shock, or personal injury, mount fan to floor or structural member. The fan base does not attach directly to the outlet box, but is mounted with lag screws attached to ceiling structural member.

### **⚠ WARNING**

To avoid fire or shock, follow all wiring instructions carefully. Any electrical work not described in these instructions should be done or approved by a licensed electrician.

**NOTE:** If you are using a Fanimation Light Fixture with your fan, see Ceiling Fan Light Kit Installation Instructions (packed with light kit) for wiring.

# How to Wire Your Fan - Pull Chain

*If you feel that you do not have enough electrical wiring knowledge or experience, have your fan installed by a licensed electrician.*

## ⚠ WARNING

To avoid possible electrical shock, be sure electricity is turned off at the main fuse box before wiring. Note: If you are not sure if the outlet box is grounded, contact a licensed electrician for advice, as it must be grounded for safe operation.

1. Review Installation Instructions provided with optional controls (if applicable).
2. Your fan model is already equipped with a 4-position, 3-speed, pull chain switch and a reversible slide switch.
3. Connect the yellow/green grounding lead from the fan base to the supply grounding conductor (this may be a bare wire or wire with yellow/green colored insulation). Securely connect wires with wire connectors supplied.
4. Securely connect the blue fan motor wire to the blue supply (neutral) wire using wire connector supplied. Securely connect the brown fan motor wire and orange wire to the black supply wire using wire connector supplied (Figure 2). After connections have been made, turn leads upward and carefully push leads into the outlet box, with the blue and green leads on one side of the outlet box and the brown and orange leads on the other side of the outlet box. (Figure 3)

## INSTALLATION NOTE

*If separate control of light fixture (optional) is desired, a separate switch leg from the outlet box is required. In this instance the blue wire from the fan will be connected to the light switch leg (typically red wire)*

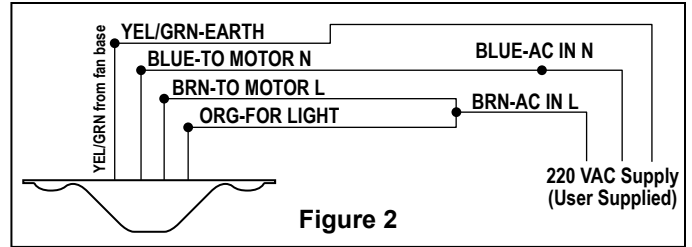


Figure 2

## ⚠ WARNING

To avoid possible fire or shock, make sure that the electrical wires are completely inside the base and not pinched between the base and the ceiling.

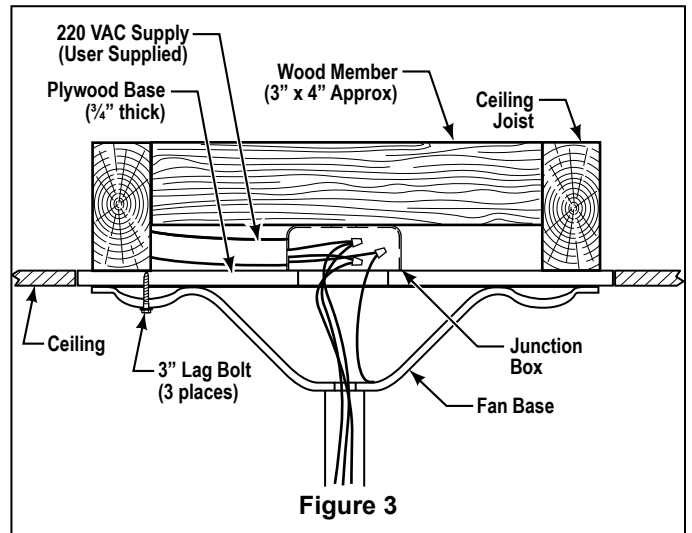


Figure 3

# Operating Instructions - Pull Chain

## ⚠ WARNING

Check to see that all connections are tight, including ground, and that no bare wire is visible at the wire connectors, except for the ground wire. Do not operate fan until the blades is in place. Noise and fan damage could result.

1. Restore electrical power to the outlet box by turning the electricity on at the main fuse box.
2. Check the operation of the fan by gently pulling on the pull chain switch. (Figure 4)
3. If airflow is desired in the opposite direction, turn the fan off and wait for the blades to stop turning. Then slide the reverse switch to the opposite position and turn fan on again. Your fan model is equipped with a 4-position, 3-speed, pull chain switch. The operating sequence is as follows:

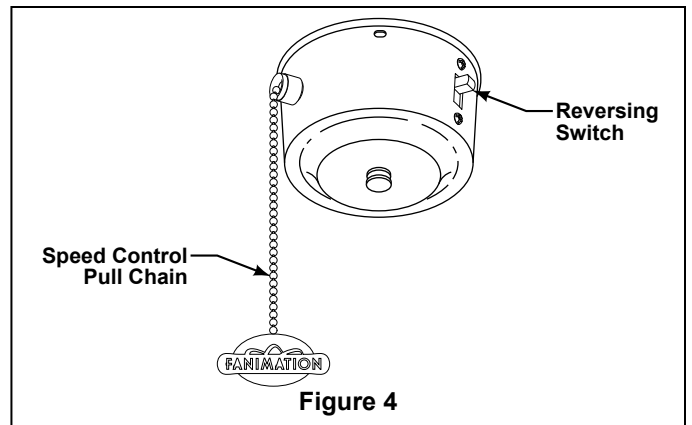


Figure 4

- 1st Pull = HIGH
- 2nd Pull = MEDIUM
- 3rd Pull = LOW
- 4th Pull = OFF

## Mounting the Fan Blades

You will find the fan blade set packed in its own carton and the blade holders and hardware bag in the base assembly carton. The hardware bag for the blade holders consists of 10 screws.

### INSTALLATION NOTE

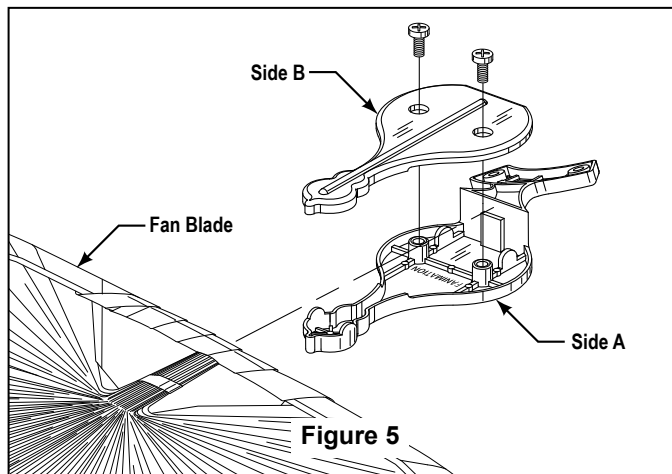
**Do not connect fan blades until the fan is completely installed. Installing the fan with blades assembled may result in damage to the fan blades.**

#### Natural Palm Leaf, Woven Bamboo, Woven Wicker Blades

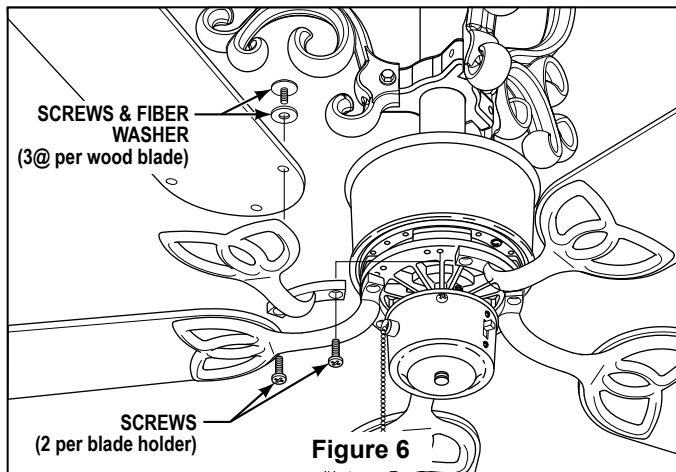
1. Lay side "A" of the blade holder on a flat surface with the inside of the blade holder facing up. This is the side with the threaded posts and pitched foot (Figure 5).
2. Position the palm leaf, or the woven bamboo blade over the blade holder with the threaded posts showing. Make sure the bottom edge of the blade is fully seated against the blade holder.
3. Place side "B" of the blade holder on top of the blade, positioning the holes over the threaded posts.
4. With a Philips screwdriver, thread both screws into the posts but do not fully tighten.
5. Prior to final tightening, position the centerline of the blade holder with the center of the end of the blade.
6. Tighten both screws to secure the blade (Figure 5).

#### Standard Reversible Wooden Blades

1. Mount the wooden blades on the blade holder with three sets of washer screws and fiber washers.
2. Then mount the assembled blade/blade holder onto the flywheel, secure with flywheel screws. (Figure 6)



**NOTE:** Optional Canvas blades and The Ococee™ kayak oar blades are available for this assembly.



### ⚠ WARNING

To reduce the risk of personal injury, do not bend the blade holders when installing, balancing the blades or cleaning the fan. Do not insert foreign objects in between the rotating blades.

## Maintenance

Periodic cleaning of your new ceiling fan is the only maintenance that is needed. When cleaning, use only a soft brush or lint free cloth to avoid scratching the finish. Abrasive and/or non-abrasive cleaning agents are not required and should be avoided to prevent damage to finish.

### ⚠ WARNING

Do not use water when cleaning your ceiling fan. It could damage the motors or the blades and create the possibility of electrical shock.

## Blade Cleaning

Periodic light dusting of the Palm Leaf, Wooden, Wicker and Woven Bamboo blades is recommended. A feather

duster will work best. Avoid using water, cleansers, or harsh rags, which can warp and tear the blades.

# Trouble Shooting

## ⚠ WARNING

For your own safety turn off power at fuse box or circuit breaker before trouble shooting your fan.

Trouble	Probable Cause	Suggested Remedy
<b>1. FAN WILL NOT START</b>	<ol style="list-style-type: none"> <li>1. Fuse or circuit breaker blown.</li> <li>2. Loose power line connections to the fan, or loose switch wire connections in the switch housing.</li> <li>3. Reversing switch in neutral position.</li> <li>4. Dead battery in remote control.</li> <li>5. Frequency code switches not set correctly.</li> </ol>	<ol style="list-style-type: none"> <li>1. Check main and branch circuit fuses or circuit breakers.</li> <li>2. Check line wire connections to fan and switch wire connections in the switch housings.</li> </ol> <p><b>CAUTION: Make sure main power is turned off !</b></p> <ol style="list-style-type: none"> <li>3. Make sure reversing switch position is all the way to one side.</li> <li>4. Replace with fresh battery.</li> <li>5. Set frequency code switches per instructions on page 6.</li> </ol>
<b>2. FAN SOUNDS NOISY</b>	<ol style="list-style-type: none"> <li>1. Blades not attached to fan.</li> <li>2. Loose screws in motor housing.</li> <li>3. Screws securing fan blade holders to motor flywheel are loose.</li> <li>4. Wire connectors inside housing rattling.</li> <li>5. Motor noise caused by solid state variable speed control.</li> <li>6. Screws holding blades to blade holders are loose.</li> <li>7. Rubber flywheel set screw loose.</li> </ol>	<ol style="list-style-type: none"> <li>1. Attach blades to fan before operating.</li> <li>2. Check to make sure all screws in motor housing are snug (not over-tight).</li> <li>3. Check to make sure the screws which attach the fan blade holders to the motor flywheel are tight.</li> <li>4. Check to make sure wire connectors in switch housing are not rattling against each other or against the interior wall of the switch housing.</li> </ol> <p><b>CAUTION: Make sure main power is turned off !</b></p> <ol style="list-style-type: none"> <li>5. Some fan motors are sensitive to signals from solid-state variable speed controls. Solid-state controls are not recommended, choose an alternative control method.</li> <li>6. Tighten screws securely.</li> <li>7. Tighten set screw securely.</li> </ol>
<b>3. FAN WOBBLER EXCESSIVELY</b>	<ol style="list-style-type: none"> <li>1. Fan base bolts on the ceiling is loose.</li> <li>2. Bolts holding the collector to the support pole are loose.</li> <li>3. Screws securing fan blade holders to flywheel are loose.</li> <li>4. Blade holders not seated properly.</li> </ol>	<ol style="list-style-type: none"> <li>1. Tighten fan base bolts.</li> <li>2. Tighten bolts holding the collector to the support pole.</li> <li>3. Check to be sure screws which attach the fan blade holders to the flywheel are tight.</li> <li>4. Check to be sure the fan blade holders seat firmly and uniformly to the surface of the flywheel. If holders are seated incorrectly, loosen the screws and retighten.</li> </ol>

# Parts List

Model #FP410\_-220 / FP420\_-220

Ref. No.	Description	Qty	Part #
1	Fan Motor Assembly	1	FP320**-220
2	Motor Support	1	P8021-25.5**
2	Motor Support	1	P8021-13**
3	M/S, Washer Hd., 8-32 x 3½", Black	4	
4	Lock Nut, Nylon Insert, 8-32	4	FANI1406
5	Socket Cap Screw, 5/16-24 x ¾"	4	FASOCK908
6	Collector	2	P514**
7	Long Leg (Americana Long Model)	3	P508**
7a	Short Leg (Americana Short Model)	3	P510**
8	Hex Head Bolt, ¼-20 x 1, Black	6	FAHEX312
9	Flat Washer, ¼" Black	9	FAWASH716
10	Hex Head Bolt, ¼-20 x 1½, Black	3	FAHEX302
11	Flat Washer, ¼" Black	9	FAWASH716
12	Fan Base	1	P502**
13	Wall Flange, 1½"	1	P404**
14	Socket Cap Screw, 10-32 x ½"	3	FASOCK902
15	Nut, Hex, 10-32	3	FANUT808
16	Mounting Screw, 10-32 x 1½"	3	
17	Nut, Hex, 10-32	3	FANUT808
18	Nut, Hex, ¼-20, Black	3	FANUT810
19	Blade Holder (pkgd when using FP1018)	5	BH**
20	Blade Holder Set (pkgd when using other blades)	1	P20DCBH**
<i>Miscellaneous Hardware Items:</i>			
21	Screw, Lag, 5/16 x 3", Black	3	FALAG102
22	Flat Washer, 5/16 SAE, Black	3	FAWASH718
23	Screw, Mounting, Washer Head	15	
24	Washer, Fiber	15	
25	Flywheel Screws, 10-32 x ½", Black	14	

\*\*Insert Finish Codes; AB=Antique Brass, BL=Black

**Before discarding packaging materials, be certain all parts have been removed**

## How to Order Parts

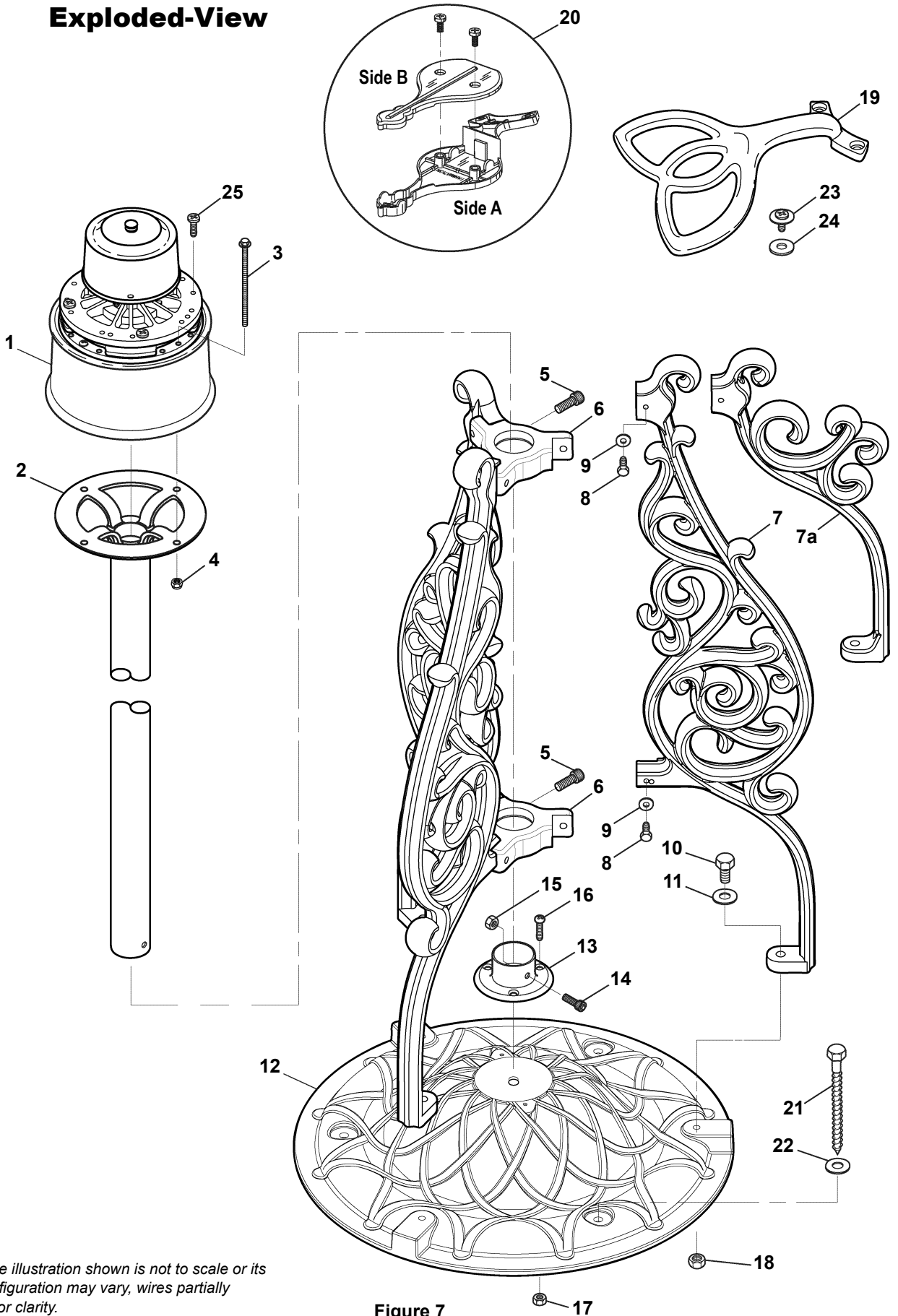
When ordering repair parts, always give the following information:

- Part Number
- Part Description
- Ceiling Fan Model Number

Contact your retail store for repair parts.



# The Americana<sup>®</sup> Exploded-View



**NOTE:** The illustration shown is not to scale or its actual configuration may vary, wires partially removed for clarity.

Figure 7



**10983 Bennett Parkway  
Zionsville, IN 46077**

**Toll Free (888) 567-2055**

**FAX (866) 482-5215**

**Outside U.S. call (317) 733-4113**

**Visit Our Website @ [www.fanimation.com](http://www.fanimation.com)**