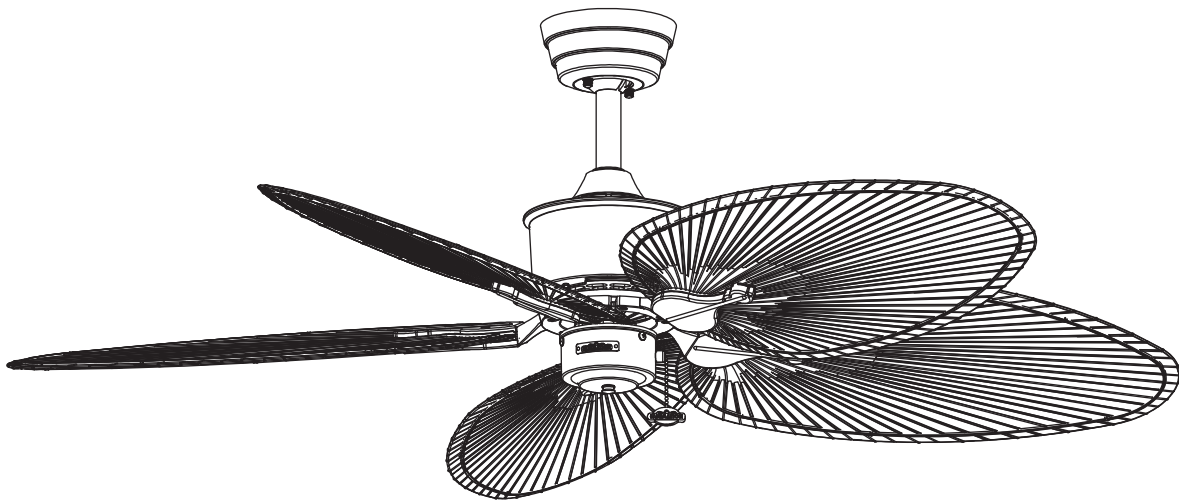


# **The Islander<sup>®</sup>**

## **Ceiling Fan**



**Standard & Damp Location Models\***

Net Weight 19 lbs.

**Model No. FP320\*\*1**

**OWNER'S MANUAL**  
**READ AND SAVE THESE INSTRUCTIONS**



*\*Damp Location Model; Top of fan is marked, "Suitable For Use In Damp Locations"*

# Important Safety Instructions

## **WARNING: To avoid fire, shock and serious personal injury, follow these instructions.**

1. Read your owner's manual and safety information before installing your new fan. Review the accompanying assembly diagrams.
2. Before servicing or cleaning unit, switch power off at service panel and lock service panel disconnecting means to prevent power from being switched on accidentally. When the service disconnecting means cannot be locked, securely fasten a warning device, such as a tag, to the service panel.
3. Be careful of the fan and blades when cleaning, painting, or working near the fan. Always turn off the power to the ceiling fan before servicing.
4. Do not insert anything into the fan blades while the fan is operating.
5. Do not operate reversing switch until fan blades have come to a complete stop.

## **Additional Safety Instructions**

1. To avoid possible shock, be sure electricity is turned off at the fuse box before wiring, and do not operate fan without blades.
2. All wiring and installation procedures must satisfy National Electrical Codes (ANSI/ NFPA 70-1999). Use the National Electrical Code if Local Codes do not exist. The ceiling fan must be grounded as a precaution against possible electrical shock. Electrical installation should be made or approved by a licensed electrician.
3. The fan base must be securely mounted and capable of reliably supporting at least 100 lbs. (fan and accessories not to exceed 35 lbs. or 16 kgs.). Outlet boxes are not acceptable for fan support. See page 5 of owner's manual for support requirements. Consult a qualified electrician if in doubt.
4. **CAUTION:** To reduce the risk of personal injury, mount the fan base to a ceiling joist or structural member using the hardware provided with your fan.
5. **WARNING:** Support Directly from Building Structure.
6. The fan must be mounted with the fan blades at least 7 feet from the floor to prevent accidental contact with the fan blades.
7. Follow the recommended instructions for the proper method of wiring your ceiling fan. If you do not have adequate electrical knowledge or experience, have your fan installed by licensed electrician.
8. Suitable for use with solid-state speed controls.

**WARNING:** To reduce the risk of fire or electric shock, this fan should only be used with Fan Speed Control Part No. UC7051R, manufactured by Rhine Electronic Co., Ltd.

**WARNING:** TO REDUCE THE RISK OF SHOCK, THIS FAN MUST BE INSTALLED WITH AN ISOLATING WALL CONTROL/SWITCH.

**WARNING:** This product is designed to use only those parts supplied with this product and/or accessories designated specifically for use with this product. Using parts and/or accessories not designated for use with this product could result in personal injury or property damage.\*

**WARNING:** To reduce the risk of personal injury, do not bend the blade bracket (flange or blade holder) when installing the brackets, balancing the blades, or cleaning the fan. Do not insert foreign objects in between rotating fan blades.

## **LIMITED LIFETIME WARRANTY**

### **Extends to the original purchaser of a Fanimation Fan**

1. **LIMITED LIFETIME MOTOR WARRANTY** - If any part of your fan motor fails, due to a defect in materials or workmanship during the lifetime of the original purchaser, Fanimation will provide the replacement part free of charge, when the defective fan is returned to our national service center. Proof of purchase is required. Customer shall be responsible for all costs incurred in the removal or reinstallation and shipping of the product for repairs or replacement.
2. **ONE YEAR MOTOR LABOR WARRANTY** - If your fan motor fails at any time within one year from the original purchase, due to defects in materials or workmanship, labor to repair the motor will be provided free of charge at our national service center. Purchaser will be responsible for labor charges after this one-year period. Customer shall be responsible for all costs incurred in the removal or reinstallation and shipping of the product for repairs or replacement.
3. If any other part of your fan fails at any time within one year after original purchase, due to a defect in materials or workmanship, we will repair, or replace, at our option, the defective part free of charge for parts and labor performed at our national service center.
4. Because of varying climate conditions, this warranty does not cover changes in the finish, including rusting, pitting, corroding, tarnishing, or peeling.
5. This warranty is void and does not apply to damage from improper installation, neglect, accident, misuse, exposure to extremes of heat or humidity, or as a result of any modification to the original product.
6. All costs of removal and reinstallation of the fan are the sole responsibility of the owner of the fan and not the store that sold the fan or Fanimation.
7. Fanimation reserves the right to modify or discontinue any product at any time and may substitute any part under this warranty.
8. Under no circumstances may a fan be returned without prior authorization from Fanimation. The receipt of purchase must accompany authorized returns and must be sent freight prepaid to Fanimation. The fan to be returned must be properly packed to avoid damage in transit; Fanimation will not be responsible for any damage resulting from improper packaging.
9. It is understood that any repair or replacement is the exclusive remedy available from Fanimation. There is no other expressed or implied warranty. Fanimation hereby disclaims any and all implied warranties, including, but not limited to those of merchantability and fitness for a particular purpose to the extent permitted by law. Some states do not allow limitations on implied warranties. Fanimation will not be liable for incidental, consequential, or special damages arising out of or in conjunction with product use or performance, except as may otherwise be accorded by law. This warranty gives you special legal rights and you may also have other rights that vary from state to state.
10. A certain amount of wobble is normal and should not be considered a problem or a defect.

\***DAMP LOCATION CEILING FAN:** If you have purchased a Damp Location Ceiling Fan, you may only use light kits marked suitable for use in damp locations.

## **Table of Contents**

Unpacking Instructions .....	3
Electrical and Structural Requirements .....	4
How to Assemble Your Ceiling Fan .....	4
How to Hang Your Ceiling Fan .....	6
How to Wire Your Ceiling Fan - Pull Chain .....	7
Operating Instructions - Pull Chain .....	7
Installing the Canopy Housing .....	8
Mounting the Fan Blades .....	8
Maintenance .....	9
Blade Cleaning .....	9
Parts List .....	10
Exploded-View Drawing .....	11

# This Manual is Designed to Make it as Easy as Possible for You to Assemble, Install, Operate, and Maintain Your Ceiling Fan

## Tools Needed for Assembly

- One Phillips head screwdriver
- One wire stripper
- One stepladder
- Three wire connectors
- One ¼" blade screwdriver (supplied)

## Materials

Wiring outlet box and box connectors must be of type required by local code. The minimum wire would be a 3-conductor (2-wire with ground) of the following size:

Installed Wire Length	Wire Size A.W.G.
Up to 50 ft.	14
50 - 100 ft.	12

**NOTE:** Place the parts from the loose parts bags in a small container to keep them from being lost. If any parts are missing, contact your local retailer.

**DAMP LOCATION CEILING FAN:** If you have purchased a Damp Location Ceiling Fan, you may only use light kits marked suitable for use in damp locations.

### ▲ WARNING

Before assembling your ceiling fan, refer to section on proper method of wiring your fan (page 4). If you feel you do not have enough wiring knowledge or experience, have your fan installed by a licensed electrician.

## Unpacking Instructions

For your convenience, check-off each step. As each step is completed, place a check mark. This will ensure that all steps have been completed and will be helpful in finding your place should you be interrupted.

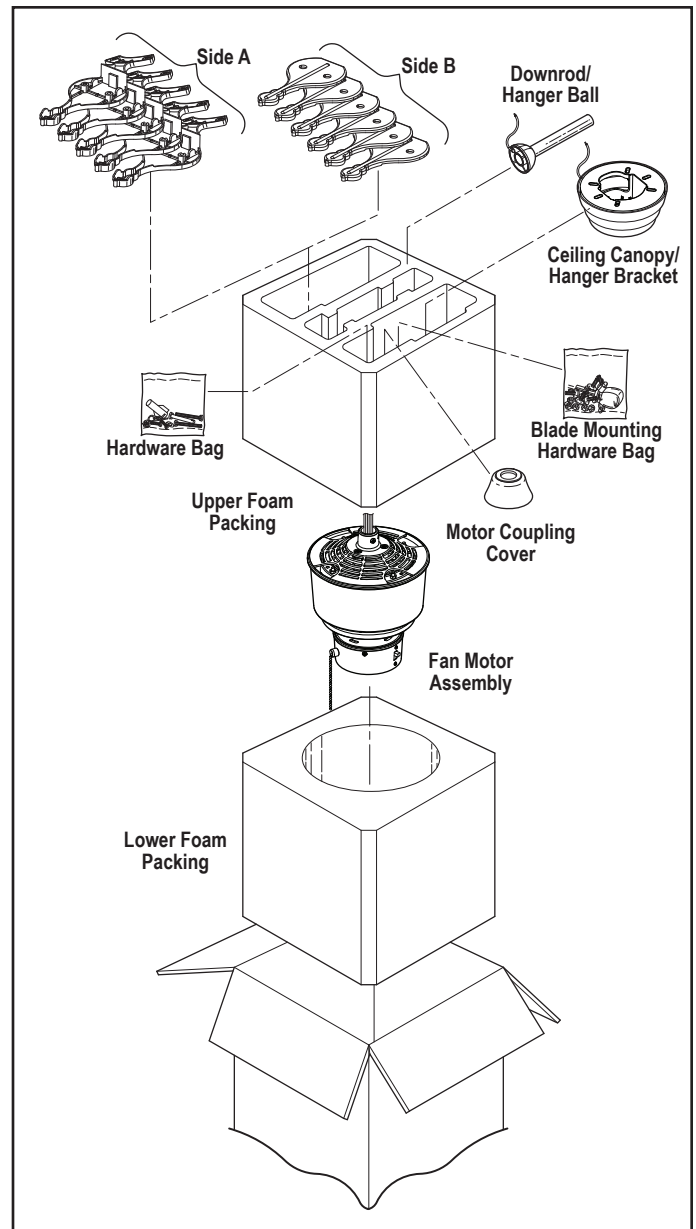
### ▲ WARNING

Do not install or use fan if any part is damaged or missing. This product is designed to use only those parts supplied with this product and/or any accessories designated specifically for use with this product by Fanimation. Substitution of parts or accessories not designated for use with this product by Fanimation could result in personal injury or property damage. Contact your retail store for missing or damaged parts.

1. Check to see that you have received the following parts:

**NOTE:** If you are uncertain of part description, refer to exploded view illustration. (Figure 20, page 13)

- Fan Motor assembly
- Downrod/Hanger Ball assembly
- Blade Holder pack containing:
  - Five blade holders (Side A)
  - Five blade holders (Side B)
- Ceiling Canopy
- Hanger Bracket
- Hardware bag:
  - Ten 10-32 x 1/2" (blade holder to fan motor assembly) screws
  - Two 5/32"-32 x 19 mm threaded rods
  - Two 5/32" lockwashers
  - Two knurled knobs
  - Three wire connectors
  - Fanimation pull chain
- Motor Coupling Cover
- Blade Mounting Hardware Bag
  - Ten 3/16"-24 x 1/2" screws (for use with Side A and Side B of the blade holder)
  - Fanimation screwdriver



## Electrical and Structural Requirements

Your new ceiling fan will require a grounded electrical supply line of 120 volts AC, 60 Hz, 15 amp circuit. The outlet box must be securely anchored and capable of withstanding a load of at least 50 lbs. **Figure 1** depicts different structural configurations that may be used for mounting the outlet box.

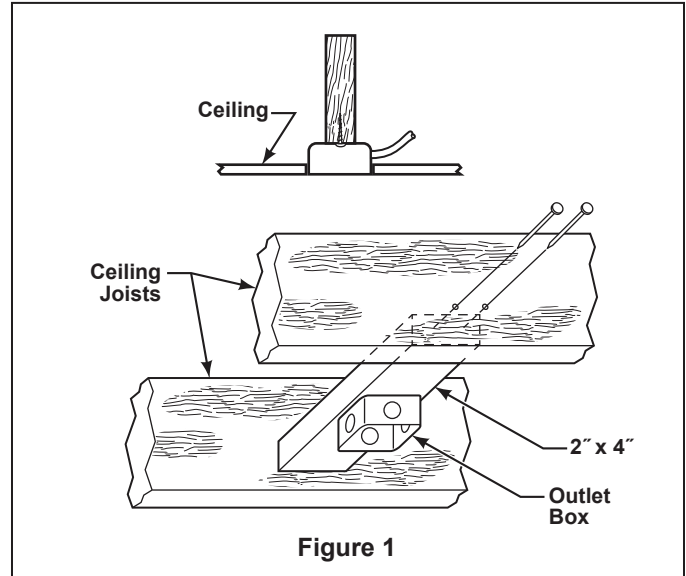
### ▲ WARNING

To reduce the risk of fire, electrical shock, or personal injury, mount fan to outlet box marked acceptable for fan support, and use screws supplied with outlet box. Most outlet boxes commonly used for support of light fixtures are not acceptable for fan support and may need to be replaced. Consult a qualified electrician if in doubt.

If your fan is to replace an existing light fixture, turn electricity off at the main fuse box at this time and remove the existing light fixture.

### ▲ WARNING

Turning off wall switch is not sufficient. To avoid possible electrical shock, be sure electricity is turned off at the main fuse box before wiring. All wiring must be in accordance with National and Local codes and the ceiling fan must be properly grounded as a precaution against possible electrical shock.

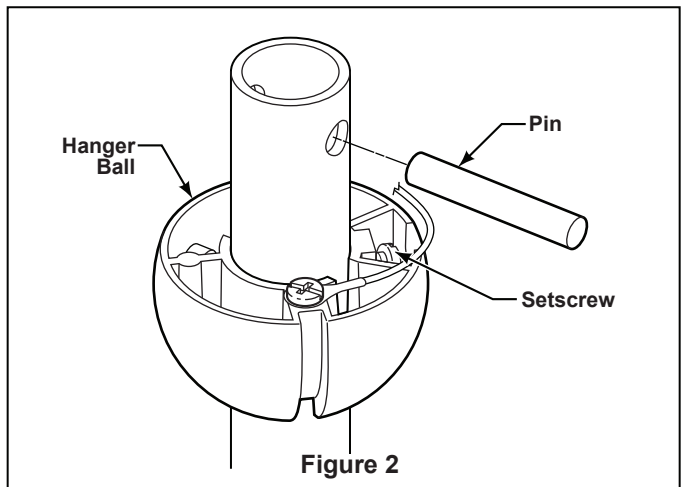


### ▲ WARNING

To avoid fire or shock, follow all wiring instructions carefully. Any electrical work not described in these instructions should be done or approved by a licensed electrician.

## How to Assemble Your Ceiling Fan

1. Prior to assembly, set aside and save the hardware bag(s) packed in the packing.
2. Remove the Hanger Ball by loosening the setscrew in the Hanger Ball until the ball falls freely down the Downrod. (Figure 2) Remove the Pin from the Downrod, then remove the Hanger Ball. Retain the Pin and Hanger Ball for reinstallation in Step 6.
3. The fan comes with blue, black, and white 80" wires. Separate and untwist the three wires. Route the wires through the Downrod.



## How to Assemble Your Ceiling Fan (cont'd)

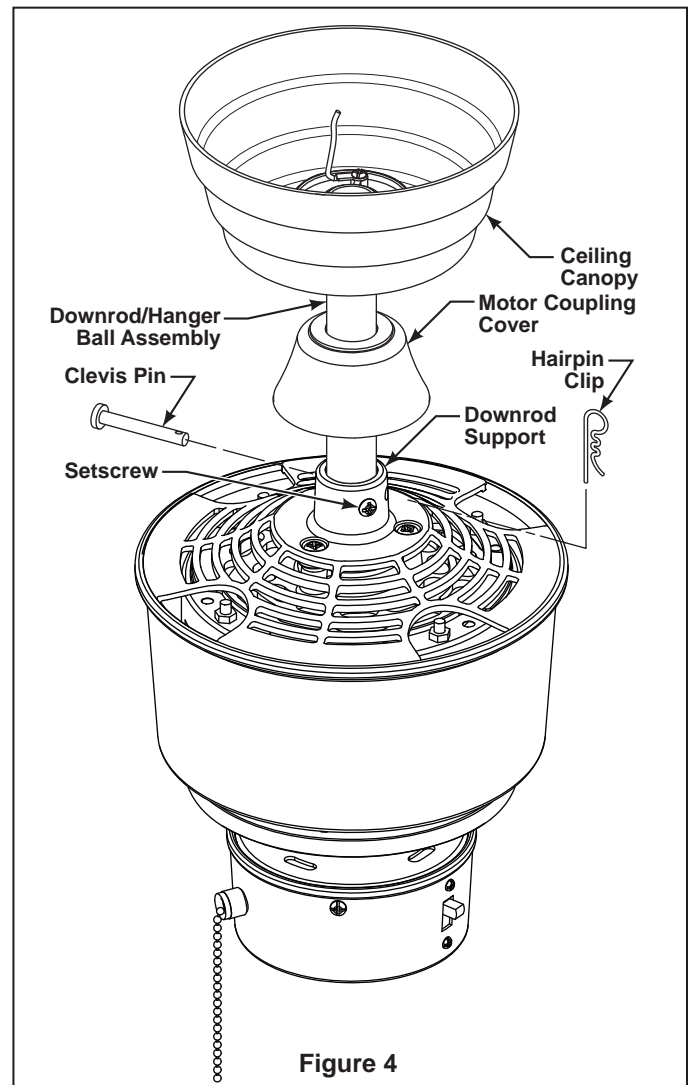
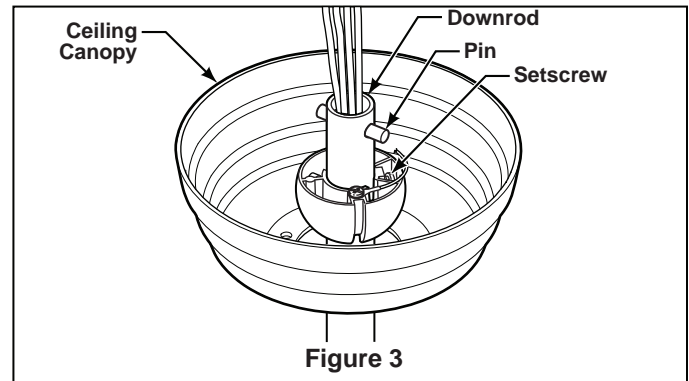
**NOTE:** You will be using either the 6" downrod supplied with your fan or an optional downrod purchased separately.

4. Loosen the two setscrews in the Downrod Support. Align the Clevis Pin holes in the Downrod with the holes in the Downrod Support. Install the Clevis Pin and secure with the Hairpin Clip. (Figure 4) Be sure to push the straight leg of the hairpin clip through the hole near the end of the clevis pin until the curved portion of the hairpin clip snaps around the clevis pin. The hairpin clip must be properly installed to prevent the clevis pin from working loose. Pull on the Downrod to make sure the clevis pin is properly installed.

**NOTE:** The setscrews must be properly installed as described above, or fan-wobble could result.

5. Route wires through opening in Canopy. Position Canopy on fan shown with open side facing up. (Figure 3)

6. Reinstall the Hanger Ball (Figure 3) on the Downrod as follows. Route the three 80" wires through the Hanger Ball. Position the Pin through the two holes in the Downrod and align the Hanger Ball so the Pin is captured in the groove in the top of the Hanger Ball. Pull the Hanger Ball up tight against the pin. **Securely tighten the setscrew in the Hanger Ball. A loose setscrew could create fan wobble.**



### ▲ WARNING

It is critical that the clevis pin in the downrod support is properly installed and the setscrews are securely tightened. Failure to verify that the pin and setscrews are properly installed could result in the fan falling.

7. While pulling up on the hanger ball, securely tighten the two 3/16-24 x 3/8" setscrews in the downrod support (Figure 4).

8. Slide the motor coupling cover down until it touches the top of the motor.

9. The fan comes with blue, black, and white leads. Before installing fan, measure up approximately 6-9 inches above top of Downrod/Hanger Ball Assembly. Cut off excess wire and strip back insulation 1/2" from end of wire.

10. You have now completed the assembly of your new ceiling fan. You can now proceed with the hanging and the electrical wiring of your fan.

### ▲ WARNING

To reduce the risk of personal injury, do not bend the blade holders when installing, balancing the blades or cleaning the fan. Do not insert foreign objects in between the rotating blades.

# How to Hang Your Ceiling Fan

## ⚠ WARNING

To avoid possible electrical shock, be sure electricity is turned off at the main fuse box before hanging.  
**NOTE:** If you are not sure if the outlet box is grounded, contact a licensed electrician for advice, as it must be grounded for safe operation.

## ⚠ WARNING

The fan must be hung with at least 7' of clearance from floor to blades (Figure 5)

## ⚠ WARNING

The outlet box must be securely anchored and capable of withstanding a load of at least 50 lbs. Hanger bracket must seat firmly against outlet box. If the outlet box is recessed, remove wallboard until bracket contacts box. If bracket and/or outlet box are not securely attached, the fan could wobble or fall.

## CAUTION

Do not connect fan blades until the fan is completely installed. Hanging fan with blades connected may result in damage to the fan blades.

1. Securely attach the hanger bracket to the outlet box using the outlet box screws and washers supplied with the outlet box (Figure 6).

**NOTE:** Outlet box screws pass through slotted holes of the hanger bracket (Figure 6).

2. Pull the electric wires in the outlet box down through the opening in the hanger bracket and bend wires up and out of the way so that the hanger ball will easily fit into the hanger bracket.

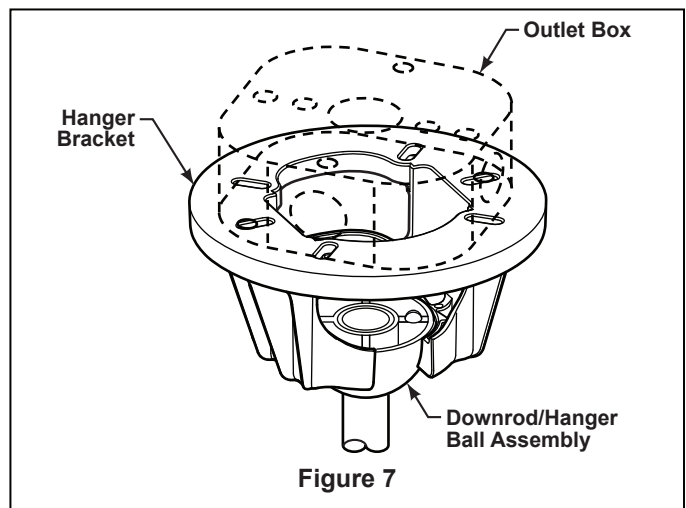
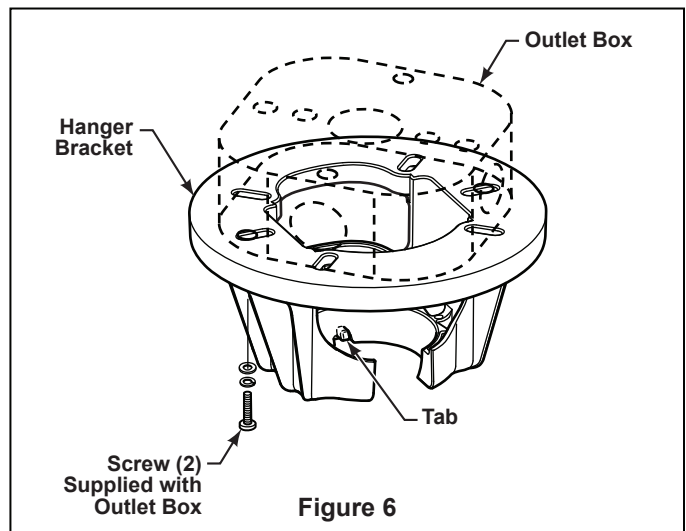
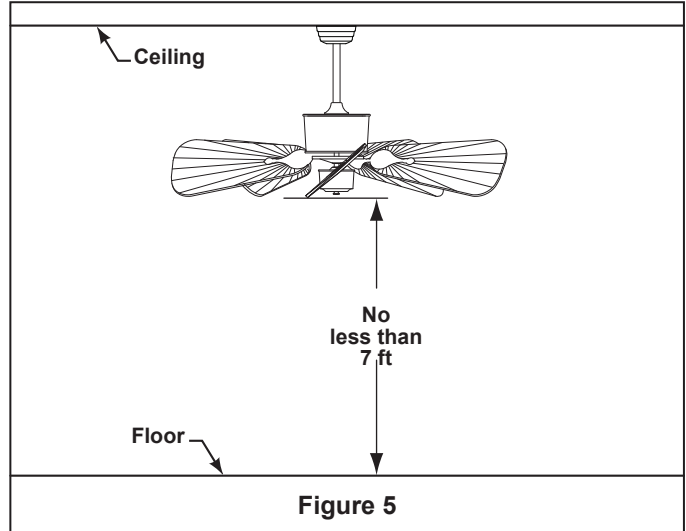
3. Carefully lift the fan and seat the downrod/hanger ball assembly on the hanger bracket that was just attached to the outlet box (Figure 7). Be sure the groove in the ball is lined up with tab on the hanger bracket (Figure 6).

## ⚠ WARNING

Failure to seat tab in groove could cause damage to electrical wires and possible shock or fire hazard.

## ⚠ WARNING

To avoid possible shock, do not pinch wires between the downrod/hanger ball assembly and the hanger bracket.



## How to Wire Your Ceiling Fan - Pull Chain

**If you feel that you do not have enough electrical wiring knowledge or experience, have your fan installed by a licensed electrician.**

### ⚠ WARNING

To avoid possible electrical shock, be sure electricity is turned off at the main fuse box before wiring.

**NOTE: If you are not sure if the outlet box is grounded, contact a licensed electrician for advice, as it must be grounded for safe operation.**

1. Connect the green grounding lead from the hanger ball and the green grounding lead from the hanger bracket to the supply grounding conductor (this may be a bare wire or wire with green colored insulation). Securely connect wires with wire connectors supplied.

2. Securely connect the white fan motor wire to the white supply (neutral) wire using wire connector supplied. Securely connect the black fan motor wire and blue wire to the black supply wire using wire connector supplied (Figure 8). After connections have been made, turn leads upward and carefully push leads into the outlet box, with the white and green leads on one side of the outlet box and the black and blue leads on the other side of the outlet box.

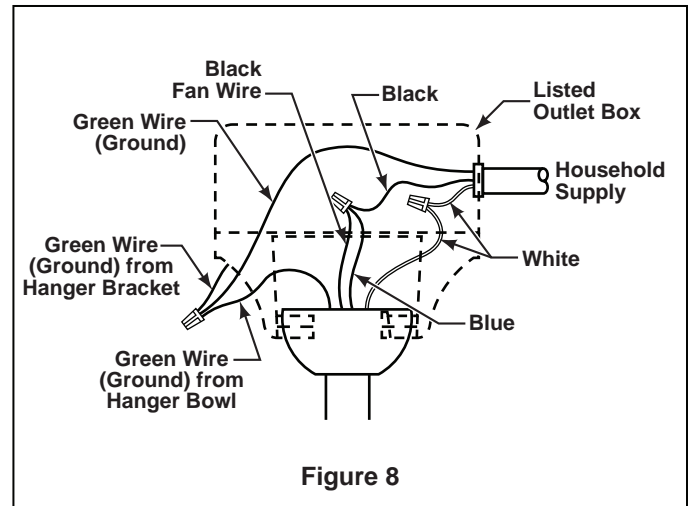


Figure 8

3. Secure the ceiling canopy to the hanger bracket with threaded rods, external lockwashers, and knurled knobs provided (see page 10). Your fan is now wired to be turned on and off from the fan pull chain speed control.

### INSTALLATION NOTE

**If separate control of light fixture (optional) is desired, a separate switch leg from the outlet box is required. In this instance the blue wire from the fan will be connected to the light switch leg (typically red wire)**

### ⚠ WARNING

Check to see that all connections are tight, including ground, and that no bare wire is visible at the wire connectors, except for the ground wire. Do not operate fan until the blades is in place. Noise and fan damage could result.

## Operating Instructions - Pull Chain

1. Restore electrical power to the outlet box by turning the electricity on at the main fuse box.

2. Check the operation of the fan by gently pulling on the pull chain switch. (Figure 9)

3. If airflow is desired in the opposite direction, turn the fan off and wait for the blades to stop turning. Then slide the reverse switch to the opposite position and turn fan on again. Your fan model is equipped with a 4-position, 3-speed, pull chain switch. The operating sequence is as follows:

1st Pull = HIGH	3rd Pull = LOW
2nd Pull = MEDIUM	4th Pull = OFF

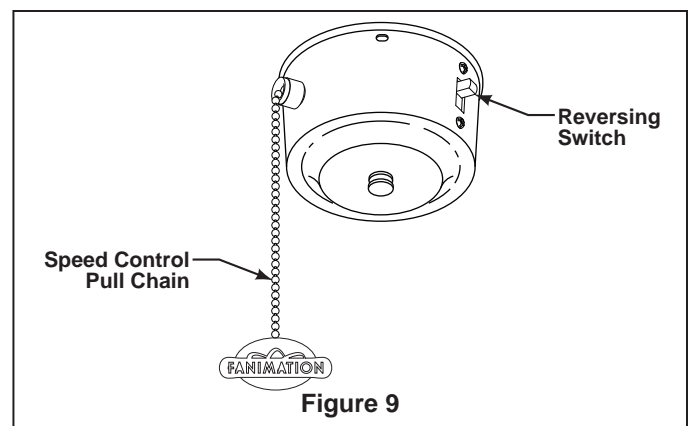


Figure 9

## Installing the Canopy Housing

**NOTE:** This step is applicable *after* the necessary wiring is completed. (see pages 7)

### **⚠ WARNING**

To avoid possible fire or shock, make sure that the electrical wires are completely inside the canopy housing and not pinched between the housing and the ceiling.

1. Screw in two threaded rods into the Hanger Bracket (Figure 10a).

**NOTE:** The threaded rods in the hanger bracket serves as guides for easier installation.

2. Securely attach the Canopy Housing to the Hanger Bracket using the external lockwashers and knurled knobs supplied with your fan (Figure 10b).

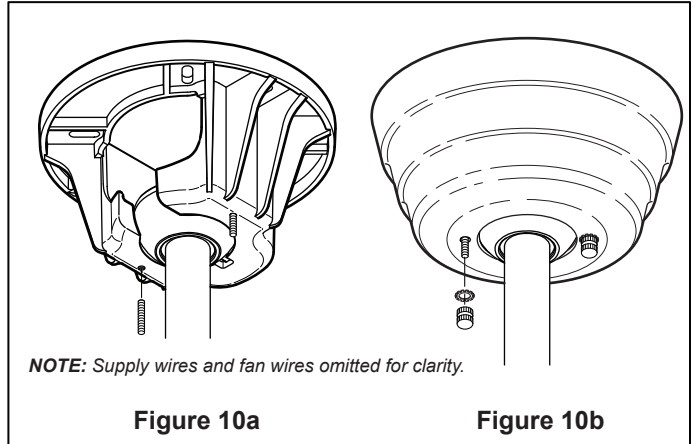


Figure 10a

Figure 10b

## Mounting the Fan Blades

You will find the fan blade set packed in its own carton and the blade holders and hardware bag in the upper foam packing in the fan box. The hardware bag for the blade holders consists of 10 screws and a Phillips head screwdriver.

### **INSTALLATION NOTE**

*Do not connect fan blades until the fan is completely installed. Installing the fan with blades assembled may result in damage to the fan blades.*

1. Lay side "A" of the blade holder on a flat surface with the inside of the blade holder facing up. This is the side with the threaded posts and pitched foot (Figure 11).

2. Position the palm leaf, or the woven bamboo blade, or the wicker blade over the blade holder with the threaded posts showing. Make sure the bottom edge of the blade is fully seated against the blade holder.

3. Place side "B" of the blade holder on top of the blade, positioning the holes over the threaded posts.

4. With a Phillips screwdriver, thread both screws into the posts but do not fully tighten.

5. Prior to final tightening, position the centerline of the blade holder with the center of the end of the blade.

6. Tighten both screws to secure the blade. (Figure 12)

### **INSTALLATION NOTE**

*Attach the Blades to the Rubber Flywheel using the holes marked #5 for 5-blade application. For 4-blade application, use the holes marked #4.*

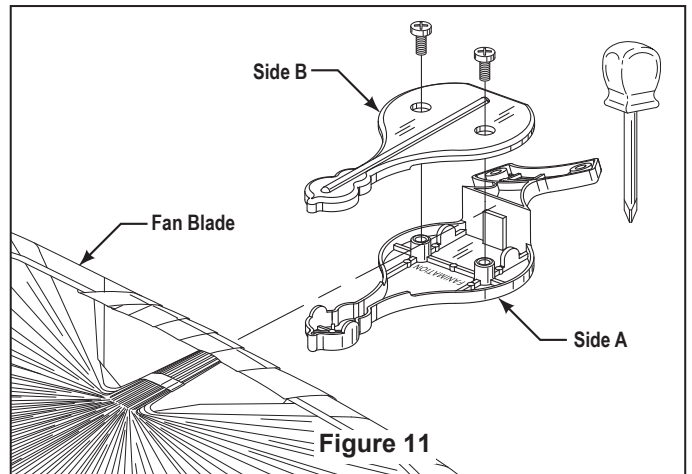


Figure 11

**NOTE:** Optional Wood blades and Blades Holders, Canvas blades and The Ococee™ kayak oar blades are available for this assembly.

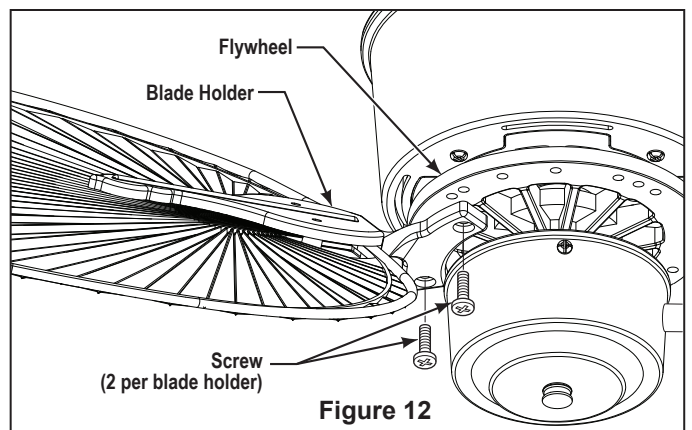


Figure 12



---

## Mounting the Fan Blades (continued)

7. Attach Blade Holders to the bottom of the Rubber Flywheel using the 10-32 x 1/2" Flywheel Screws as shown in Figure 19.

8. Make sure the screws securing the Blade Holders to the Flywheel are tight and that the Blade Holders are properly seated on the Flywheel. (Figure 12)

---

## Maintenance

Periodic cleaning of your new ceiling fan is the only maintenance that is needed.

When cleaning, use only a soft brush or lint free cloth to avoid scratching the finish.

Abrasive cleaning agents are not required and should be avoided to prevent damage to finish.

<b>CAUTION</b>
----------------

<b>Do not use water when cleaning your ceiling fan. It could damage the motor or the blades and create the possibility of electrical shock.</b>
---

---

## Blade Cleaning

Periodic light dusting of the Palm Leaf, Woven Bamboo, or Wicker blades is recommended. A feather duster will work best.

Avoid using water, cleansers, or harsh rags, which can warp and ruin the blades.

# Parts List

Model #FP320\*\*1

Ref. #	Description	Part #
1	Hanger Bracket Assembly	APG610BL
3	Ceiling Canopy	PG165**
	<i>Hardware Bag Containing:</i>	HDWFP320**
4	5/32"-32 x19 mm Threaded Rods (2)	
5	5/32" External Lockwasher (2)	
6	Knurled Knobs (2)	
13	10-32 x 1/2" Flywheel Screws (10)	
14	Wire Connectors (3)	
20	Chain Coupler	
21	Chain Fob	
2	<i>Downrod/Hanger Ball Assembly Containing:</i>	ADR1-6**
7	Downrod	
8	Clevis Pin	
9	Bridge Pin	
10	Fan Motor Assembly	AMA320**
11	Switch Cup Housing Assembly	AP3245**
12	Wiring Harness	AP3230**
15	Cover Blade Holders (Set of 5)	AP3220**
16	Blade Holders (Set of 5)	AP3210**
	<i>Blade Mounting Hardware Bag Containing:</i>	BMH5**
17	3/16"-24 x 1/2" Phillips Screws (11 pc)	
18	Phillips Screwdriver	
19	Motor Coupling Cover	APPYJ1401**

*\*\*Insert FINISH CODES (Refer to fan model number located on downrod support)*

**Before discarding packaging materials, be certain all parts have been removed**

<b>How To Order Parts</b>
<p>When ordering repair parts, always give the following information:</p> <ul style="list-style-type: none"> <li>• Part Number</li> <li>• Part Description</li> <li>• Fan Model Number</li> </ul> <p>Contact your retail store for repair parts.</p>

# The Islander® FP320\*\*1 Exploded-View

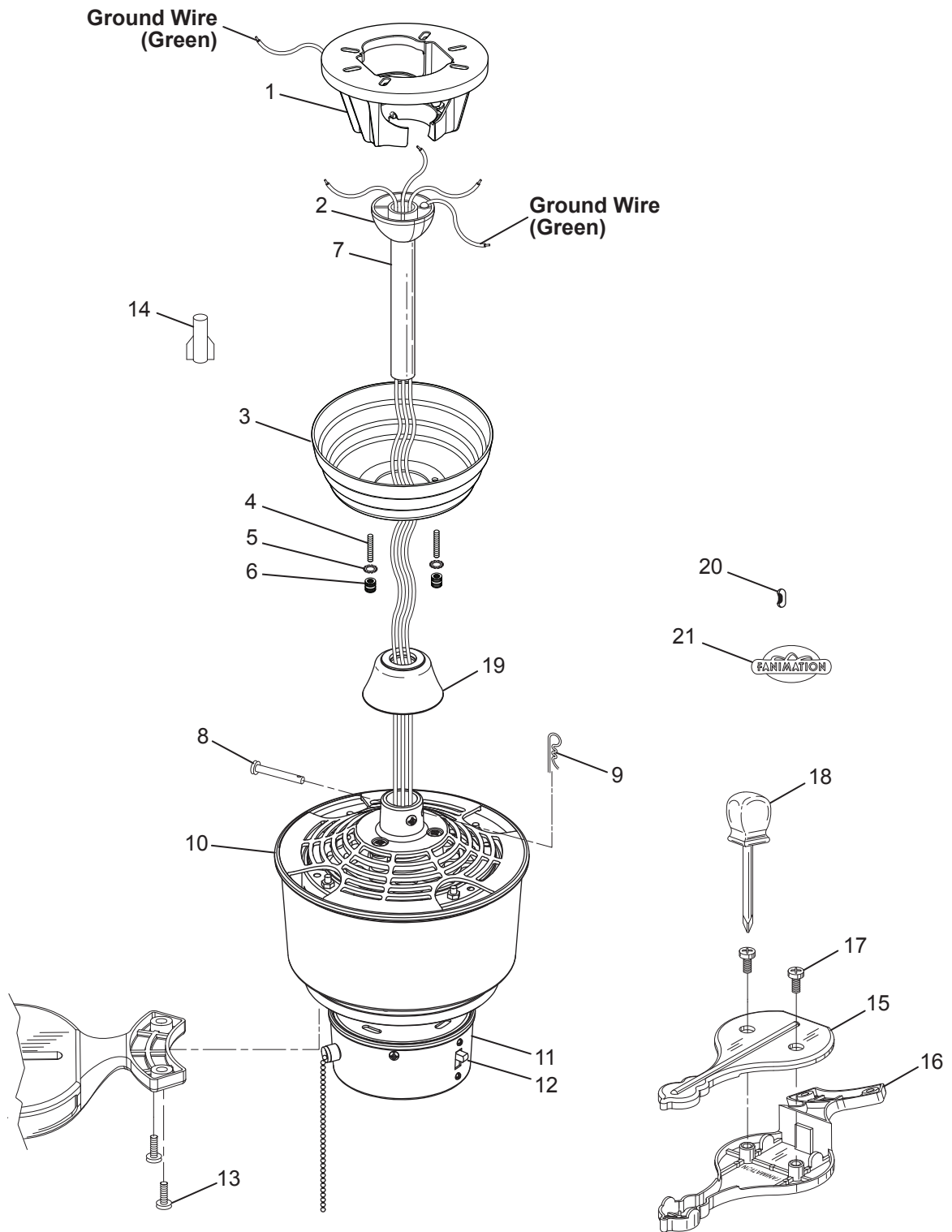


Figure 13

**NOTE:** The illustration shown is not to scale or its actual configuration may vary

# Trouble Shooting

## ⚠ WARNING

For your own safety turn off power at fuse box or circuit breaker before trouble shooting your fan.

Trouble	Probable Cause	Suggested Remedy
<b>1. FAN WILL NOT START</b>	<ol style="list-style-type: none"> <li>1. Fuse or circuit breaker blown.</li> <li>2. Loose power line connections to the fan, or loose switch wire connections in the switch housing.</li> <li>3. Reversing switch in neutral position.</li> <li>4. Dead battery in remote control.</li> </ol>	<ol style="list-style-type: none"> <li>1. Check main and branch circuit fuses or circuit breakers.</li> <li>2. Check line wire connections to fan and switch wire connections in the switch housings.</li> </ol> <p><b>CAUTION: Make sure main power is turned off !</b></p> <ol style="list-style-type: none"> <li>3. Make sure reversing switch position is all the way to one side.</li> <li>4. Replace with fresh battery.</li> </ol>
<b>2. FAN SOUNDS NOISY</b>	<ol style="list-style-type: none"> <li>1. Blades not attached to fan.</li> <li>2. Loose screws in motor housing.</li> <li>3. Screws securing fan blade holders to motor flywheel are loose.</li> <li>4. Wire connectors inside housing rattling.</li> <li>5. Motor noise caused by solid state variable speed control.</li> <li>6. Screws holding blades to blade holders are loose.</li> <li>7. Rubber flywheel set screw loose.</li> </ol>	<ol style="list-style-type: none"> <li>1. Attach blades to fan before operating.</li> <li>2. Check to make sure all screws in motor housing are snug (not over-tight).</li> <li>3. Check to make sure the screws which attach the fan blade holders to the motor flywheel are tight.</li> <li>4. Check to make sure wire connectors in switch housing are not rattling against each other or against the interior wall of the switch housing.</li> </ol> <p><b>CAUTION: Make sure main power is turned off !</b></p> <ol style="list-style-type: none"> <li>5. Some fan motors are sensitive to signals from solid-state variable speed controls. Solid-state controls are not recommended, choose an alternative control method.</li> <li>6. Tighten screws securely.</li> <li>7. Tighten set screw securely.</li> </ol>
<b>3. FAN WOBBLER EXCESSIVELY</b>	<ol style="list-style-type: none"> <li>1. Setscrew in downrod support is loose.</li> <li>2. Setscrew in downrod/hanger ball assembly is loose.</li> <li>3. Screws securing fan blade holders to flywheel are loose.</li> <li>4. Blade holders not seated properly.</li> <li>5. Hanger bracket and/or ceiling outlet box is not securely fastened.</li> <li>6. Fan blades out of balance.</li> </ol>	<ol style="list-style-type: none"> <li>1. Tighten both setscrews securely in downrod support.</li> <li>2. Tighten the setscrew in the downrod/hanger ball assembly.</li> <li>3. Check to be sure screws which attach the fan blade holders to the flywheel are tight.</li> <li>4. Check to be sure the fan blade holders seat firmly and uniformly to the surface of the motor housing. If holders are seated incorrectly, loosen the screws and retighten.</li> <li>5. Tighten the hanger bracket screws to the outlet box, and secure outlet box.</li> <li>6. Interchanging position of fan blades can redistribute the weight and result in a smoother operation. For example, exchange blades in positions 1 and 3 or 1 and 4. If this does not improve wobble, exchange 2 and 4 or 2 and 5.</li> </ol>
<b>4. NOT ENOUGH AIR MOVEMENT</b>		<ol style="list-style-type: none"> <li>1. If possible, consider using a longer downrod. For example, use a 12" downrod instead of the 6" downrod that comes with your fan.</li> <li>2. Change your blade configuration from 5 blades to 4 blades. The flywheel will accommodate both a 5-blade and 4-blade configuration.</li> <li>3. Consider using a narrow blade instead of the wide oval. Narrow blades are available in the palm leaf and woven bamboo series.</li> </ol>





**10983 Bennett Parkway  
Zionsville, IN 46077  
(888) 567-2055**

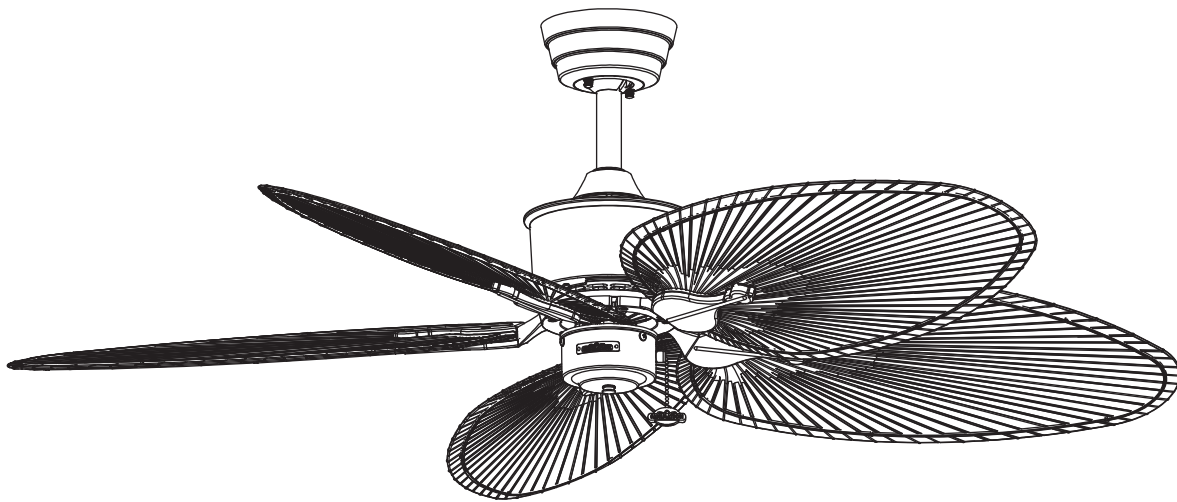
**FAX (866) 482-5215**

**Outside U.S. call (317) 773-4113**

**Visit Our Website @ [www.fanimation.com](http://www.fanimation.com)**

# **The Islander<sup>®</sup>**

**Ventilador de techo**



**Modelos para ubicaciones estándar y húmedas**

Peso neto 8,62 kg (19 lb)

**Modelo N.º FP320\*\*1**

**MANUAL DEL PROPIETARIO**  
**LEA Y GUARDE ESTAS INSTRUCCIONES**



*Modelo para ubicación húmeda; la parte superior del ventilador está marcada, "Apto para utilizar en lugares húmedos"*

## Instrucciones de seguridad importantes

**ADVERTENCIA: Siga estas instrucciones para prevenir incendios, descargas eléctricas y lesiones personales graves.**

1. Lea el manual del propietario y la información de seguridad antes de instalar su nuevo ventilador. Observe los diagramas de ensamblaje adjuntos.
2. Antes de llevar a cabo el mantenimiento o la limpieza de la unidad, desconecte la electricidad en el panel de servicio y bloquee los medios de desconexión del mismo para evitar que se active accidentalmente. Si no se pueden bloquear los medios de desconexión del servicio, coloque un dispositivo de advertencia, como una etiqueta, en el panel de servicio.
3. Tenga cuidado con la estructura y las aspas del ventilador cuando limpie, Pasadorte o trabaje cerca del mismo. Desconecte siempre la electricidad del ventilador de techo antes de llevar a cabo el mantenimiento.
4. No coloque nada en las aspas del ventilador cuando éste se encuentra en funcionamiento.
5. No accione el conmutador inversor hasta que las aspas del ventilador se hayan detenido por completo.

## Instrucciones de seguridad adicionales

1. Para evitar posibles descargas eléctricas, asegúrese de que la electricidad esté desconectada en la caja de fusibles antes de realizar la instalación eléctrica, y no haga funcionar el ventilador sin las aspas.
2. Todos los procedimientos de conexión eléctrica e instalación deben cumplir con los Códigos Eléctricos Nacionales (ANSI/NFPA 70-1999). Utilice el Código eléctrico nacional si no existen códigos locales. El ventilador de techo debe estar conectado a tierra a fin de prevenir posibles descargas eléctricas. La instalación eléctrica debe ser llevada a cabo o aprobada por un electricista autorizado.
3. Se debe fijar bien la base del ventilador; ésta debe ser capaz de soportar sin problemas al menos 45,36 kg (100 lb) (el ventilador y los accesorios no deben exceder las 35 lb o los 16 kg). No se pueden utilizar cajas de distribución eléctrica como soporte del ventilador. Consulte la página 21 del manual del propietario para ver los requisitos de soporte. Consulte a un electricista calificado si tiene dudas.
4. **PRECAUCIÓN:** A fin de reducir el riesgo de lesiones personales, monte la base del ventilador en una viga de techo o miembro estructural con las herramientas suministradas con el ventilador.  
**ADVERTENCIA:** Monte directamente en la estructura del edificio.
5. Las aspas del ventilador deben instalarse por lo menos a 2 m (7 pies) del suelo, a fin de evitar el contacto accidental con las mismas.
6. Siga las recomendaciones sobre el método correcto de instalación eléctrica de su ventilador de techo. Si no posee la experiencia o los conocimientos eléctricos adecuados, contrate a un electricista autorizado para instalar el ventilador.
7. Apto para usar con controles de velocidad de estado sólido.  
**ADVERTENCIA:** A fin de reducir el riesgo de incendios o descargas eléctricas, este ventilador sólo debe utilizarse con la Pieza de control de velocidad para ventiladores N.ºUC7051R, fabricada por Rhine Electronic Co., Ltd.  
**ADVERTENCIA:** PARA REDUCIR EL RIESGO DE DESCARGAS ELÉCTRICAS, ESTE VENTILADOR SE DEBE INSTALAR CON UN CONTROL/INTERRUPTOR DE PARED AISLADO.  
**ADVERTENCIA:** Este producto está diseñado para ser usado sólo con las piezas suministradas o los accesorios indicados específicamente para el mismo. Si utiliza piezas y/o accesorios que no están indicados para su uso con este producto podría sufrir lesiones personales o dañar el ventilador.\*  
**ADVERTENCIA:** Para reducir el riesgo de lesiones personales, no doble los soportes de aspas (borde o soporte de aspas) al instalar los soportes, balancear las aspas o limpiar el ventilador. No coloque objetos extraños entre las aspas del ventilador en funcionamiento.

## GARANTÍA LIMITADA DE POR VIDA

**Se extiende al comprador original de un ventilador Fanimation.**

1. GARANTÍA LIMITADA DE POR VIDA DEL MOTOR - Si se produjera una falla en alguna de las partes del motor de su ventilador debido a un defecto en los materiales o en la fabricación durante el tiempo de vida del comprador original, Fanimation proporcionará la pieza de repuesto sin cargo una vez que el ventilador defectuoso sea devuelto a nuestro centro de servicios nacional. Se requiere comprobante de venta. El cliente se hará responsable de todos los gastos de remoción o reinstalación y envío del producto para reparaciones o sustitución.
2. GARANTÍA DE MANO DE OBRA DEL MOTOR POR UN AÑO - Si el motor de su ventilador fallara antes de cumplirse un año a partir del momento de su compra original debido a defectos en los materiales o en la fabricación, se le efectuará la reparación del mismo sin cargo en nuestro centro de servicios nacional. El comprador se hará responsable de los gastos de mano de obra luego del período de un año. El cliente se hará responsable de todos los gastos de remoción o reinstalación y envío del producto para reparaciones o sustitución.
3. Si otra pieza del ventilador fallara dentro del período de un año a partir de la fecha de compra original debido a un defecto en los materiales o en la fabricación, repararemos o sustituiremos, según creamos conveniente, la pieza defectuosa sin cargo alguno en nuestro centro de servicios nacional.
4. Debido a las diversas condiciones climáticas, esta garantía no cubre cambios en la terminación, incluidos oxidación, corrosión, falta de brillo o peladuras.
5. Esta garantía es nula y no se aplica a daños por instalación incorrecta, negligencia, accidentes, uso indebido, exposición al calor o a la humedad en exceso, o como resultado de cualquier modificación realizada al producto original.
6. Todos los gastos de remoción y reinstalación del ventilador son responsabilidad exclusiva del propietario, y no de la tienda que vendió el ventilador ni de Fanimation.
7. Fanimation se reserva el derecho de modificar o discontinuar un producto en cualquier momento, o sustituir cualquier pieza según lo establecido por esta garantía.
8. En ningún caso se podrá devolver un ventilador sin previa autorización por parte de Fanimation. Las devoluciones autorizadas deberán ir acompañadas del recibo de venta y deberán enviarse a Fanimation, previo pago del flete. El ventilador que se devuelva deberá estar embalado en forma adecuada a fin de evitar daños durante su transporte. Fanimation no se hará responsable de los daños que resulten del embalaje incorrecto del producto.
9. Se entiende que las reparaciones y las sustituciones son el único recurso disponible de Fanimation. No existe ninguna otra garantía expresa o implícita. Por la presente, Fanimation niega todas las garantías implícitas, que incluyen, entre otras, la comerciabilidad y la aptitud para determinado fin hasta donde la ley lo permita. Algunos estados no permiten limitaciones sobre las garantías implícitas. Fanimation no se hará responsable por daños accidentales, resultantes o especiales derivados del uso o el rendimiento del producto o en conjunción con éste, excepto en los casos en los que la ley así lo disponga. Esta garantía le otorga derechos legales especiales y es posible que también goce de otros derechos que pueden variar según el estado.
10. Es normal que se produzca un cierto movimiento oscilante y esto no debe considerarse un problema o defecto.

*\*DAMP LOCATION CEILING FAN: If you have purchased a Damp Location Ceiling Fan, you may only use light kits marked suitable for use in damp locations.*

## Table of Contents

Instrucciones para el desempaque .....	17	Instalación de la cubierta del capuchón .....	22
Requisitos eléctricos y estructurales .....	18	Montaje de las aspas del ventilador .....	22
Cómo ensamblar el ventilador de techo .....	18	Mantenimiento .....	23
Cómo colgar el ventilador de techo .....	20	Limpieza de las aspas .....	23
Cómo realizar la instalación eléctrica del ventilador de techo - Cadena de encendido/apagado .....	21	Lista de piezas .....	24
Instrucciones de funcionamiento - Cadena de encendido/apagado .....	21	Plano de despiece .....	25
		Solución de problemas .....	26



# Este manual está diseñado para facilitar al máximo el ensamblaje, la instalación, el funcionamiento y el mantenimiento de su ventilador de techo.

## Herramientas necesarias para el ensamblaje

- Destornillador Phillips
- Escalera de tijera
- Destornillador de ¼"
- Pelacables
- Tres conectores de cables (incluidos)

## Materiales

La caja de distribución eléctrica y los conectores de la caja deben ser del tipo requerido por el código local. El cable más pequeño debe ser un cable de tres conductores (de dos conductores con conexión a tierra) del siguiente tamaño:

<u>longitud del cable instalado</u>	<u>tamaño del cable según el A.W.G.</u>	<u>(Calibre de Alambre Estadounidense)</u>
hasta 15,2 m (50 pies)	14	
de 15,2 a 30,5 m (50 a 100 pies)	12	

**NOTA:** coloque las piezas de las bolsas de piezas individuales en un contenedor pequeño para evitar que se extravíen. Si faltan piezas, póngase en contacto con su proveedor local.

**VENTILADOR DE TECHO PARA UBICACIONES HÚMEDAS:** Si compró un ventilador de techo para ubicaciones húmedas, sólo puede utilizar kits de iluminación que están marcados como aptos para utilizar en lugares húmedos.

### ⚠ ADVERTENCIA

Antes de ensamblar el ventilador de techo, consulte la sección sobre el método correcto de instalación eléctrica del ventilador (página 20). Si siente que no posee la experiencia o los conocimientos eléctricos necesarios, contrate a un electricista autorizado para instalar el ventilador.

## Instrucciones para el desempaque

Para su comodidad, marque cada uno de los pasos. A medida que completa cada paso, coloque una marca de verificación. Con esto se asegurará de completar todos los pasos y podrá saber desde dónde retomar si fuera interrumpido.

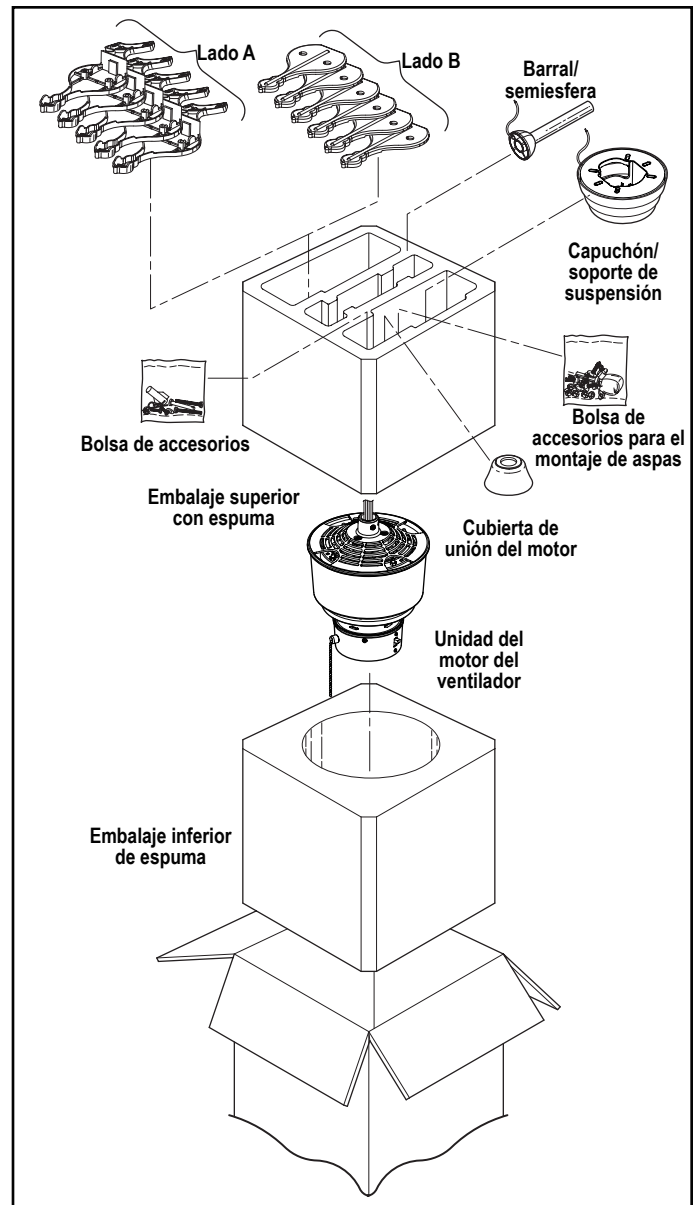
### ⚠ ADVERTENCIA

No instale ni utilice el ventilador si falta alguna pieza o si hay piezas dañadas. Este producto está diseñado para ser usado sólo con las piezas suministradas o los accesorios indicados por Fanimation específicamente para el mismo. La sustitución de piezas o accesorios no designados por Fanimation para usar con este producto podría ocasionar lesiones personales o daños en el ventilador. Póngase en contacto con su tienda si faltan piezas o hay piezas dañadas.

1. Verifique que haya recibido las siguientes piezas:

**NOTA:** Si no está seguro de la descripción de una pieza, consulte la ilustración del despiece. (Figura 20, página 29)

- Unidad del motor del ventilador
- Unidad del barral/de la semiesfera
- Paquete de soporte de aspas que contiene:
  - Cinco soportes de aspas (Lado A)
  - Cinco soportes de aspas (Lado B)
- Capuchón
- Soporte de suspensión
- Bolsa de accesorios:
  - Diez tornillos con arandelas de seguridad de 10-32 x 1/2" (soporte de aspas a la unidad del motor)
  - Dos varillas roscadas de 5/32"-32 x 19 mm
  - Dos arandelas de seguridad de 5/32"
  - Dos perillas estriadas
  - Tres conectores de cables
  - Cadena de encendido Fanimation
- Cubierta de unión del motor
- Bolsa de accesorios para el montaje de aspas
  - Diez tornillos de 3/16"-24 x 1/2" (para usar con el Lado A y el Lado B del soporte de aspas)
  - Destornillador Fanimation



## Requisitos eléctricos y estructurales

Su nuevo ventilador de techo requiere una línea de suministro eléctrico con conexión a tierra de 120 voltios de CA, 60 Hz, circuito de 15 amperios. La caja de distribución eléctrica debe estar bien asegurada y debe ser capaz de soportar una carga de, al menos, 22,7 kg (50 lb). La Figura 1 muestra diversas configuraciones estructurales que podrían utilizarse para montar la caja de distribución eléctrica.

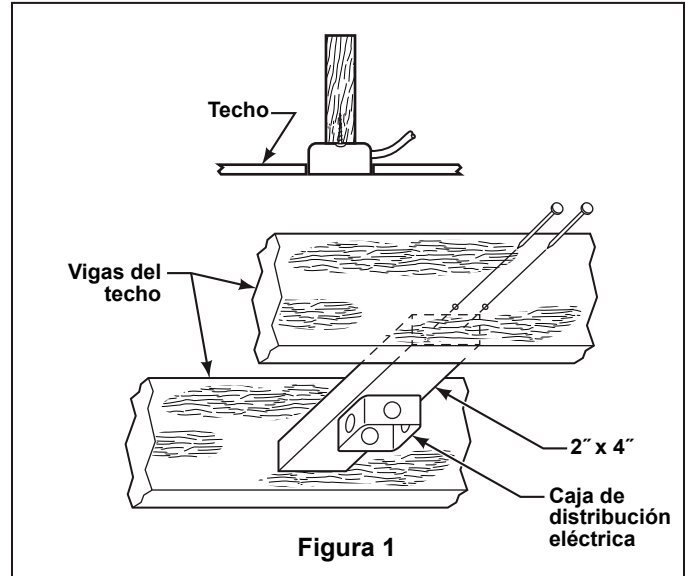
### ⚠ ADVERTENCIA

Para reducir el riesgo de incendios, descargas eléctricas o lesiones personales, fije el ventilador a la caja de distribución eléctrica marcada como apta para soportar un peso y utilice los tornillos suministrados con la caja de distribución eléctrica. La mayoría de las cajas de distribución eléctrica que comúnmente se utilizan como soporte de lámparas no son aptas para soporte de ventiladores y es posible que deban reemplazarse. Consulte a un electricista calificado si tiene dudas.

Si el ventilador reemplazará a una lámpara existente, desconecte la electricidad de la caja de fusibles principal y retire la lámpara.

### ⚠ ADVERTENCIA

Apagar el interruptor de pared no es suficiente. Para evitar posibles descargas eléctricas, asegúrese de que la electricidad esté desconectada en la caja de fusibles principal antes de realizar la instalación eléctrica. Toda instalación eléctrica debe cumplir con los códigos nacionales y locales y el ventilador de techo debe tener la conexión a tierra adecuada como forma de precaución ante posibles descargas eléctricas.



### ⚠ ADVERTENCIA

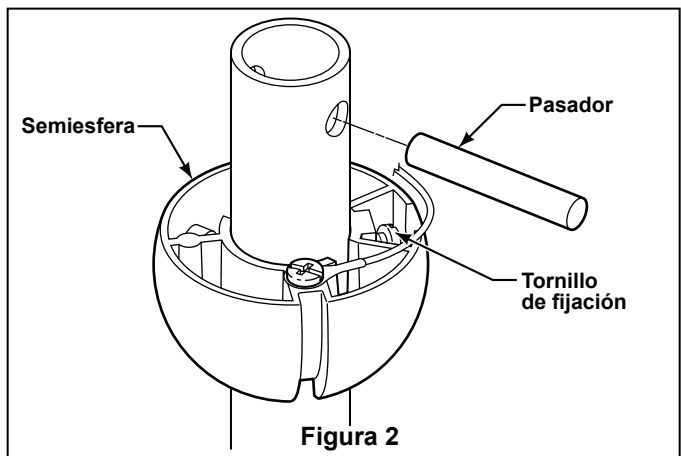
Afin de evitar incendios o descargas eléctricas, siga con cuidado todas las instrucciones de instalación eléctrica. Cualquier trabajo eléctrico que no se describa en estas instrucciones deberá ser realizado o aprobado por un electricista autorizado.

## Cómo ensamblar el ventilador de techo

1. Antes de realizar el ensamblaje, separe y guarde las bolsas de accesorios en el empaque.

2. Afloje el tornillo de fijación de la semiesfera para lograr que ésta pueda desplazarse libremente por el barral. (Figura 2) Retire el pasador del barral y luego extraiga la semiesfera. Conserve el pasador y la semiesfera para su reinstalación en el Paso 6.

3. El ventilador viene con cables de 80" de color azul, negro y blanco. Separe y desenrosque los tres cables. Pase los cables a través del barral.



## Cómo ensamblar el ventilador de techo (cont.)

**NOTA:** Podrá utilizar el barral de 6" que viene con el ventilador o un barral opcional que se adquiere por separado.

4. Afloje los dos tornillos de fijación del soporte del barral. Alinee los orificios del pasador en el barral con los orificios del soporte del mismo. Coloque el pasador y asegúrelo con el pasador de horquilla. (Figura 4) Asegúrese de empujar la pata recta del pasador de horquilla a través del orificio cerca de la punta del pasador hasta que la parte curva del pasador de horquilla se cierre con un clic alrededor del pasador. El pasador de horquilla debe estar instalado correctamente para evitar que el pasador se afloje. Tire del barral para asegurarse de que el pasador está instalado correctamente.

**NOTA:** Los tornillos de fijación se deben instalar tal como se indicó anteriormente; de lo contrario el ventilador podría oscilar.

5. Pase los cables a través de la cubierta de unión del motor y el capuchón. Coloque el capuchón sobre el ventilador con el lado abierto apuntando hacia arriba. (Figura 3)

6. Vuelva a colocar la semiesfera (Figura 3) en el barral como se indica a continuación. Pase los tres cables de 80" a través de la semiesfera. Pase el pasador a través de los dos orificios en el barral y alinee la semiesfera de modo que el pasador quede atrapado en la ranura de la parte superior de la misma. Empuje la semiesfera hacia arriba, bien ajustada contra el pasador. Ajuste firmemente el tornillo de fijación de la semiesfera. Si el tornillo está flojo, podría provocar oscilación del ventilador.

### ⚠ ADVERTENCIA

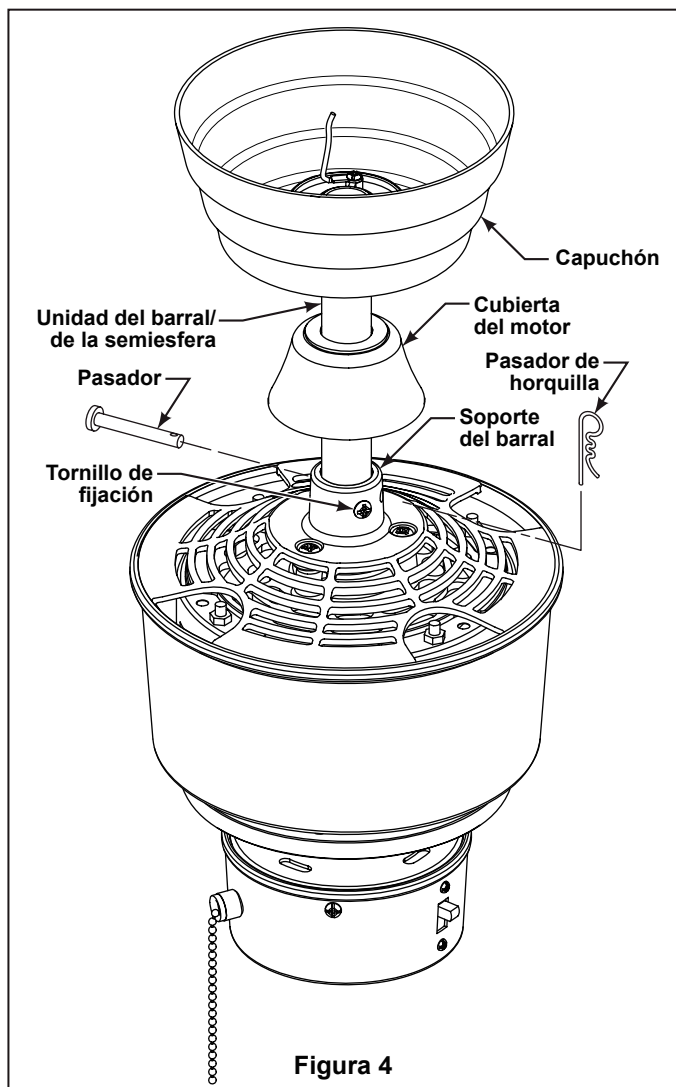
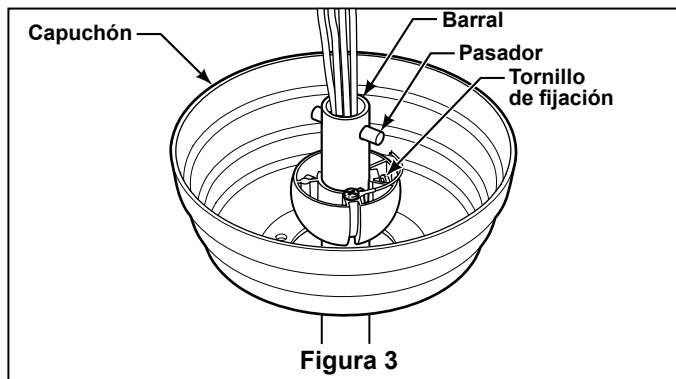
Es de suma importancia que el pasador del soporte del barral esté colocado correctamente y que los tornillos de fijación estén bien ajustados. Si el pasador y los tornillos de fijación no están correctamente colocados, el ventilador podría caerse.

7. Mientras empuja la semiesfera hacia arriba, ajuste bien los dos tornillos de fijación de 3/16-24 x 3/8" del soporte de barral (Figura 4).

8. Deslice la cubierta de unión del motor hacia abajo hasta que toque la parte superior del motor.

9. Antes de instalar el ventilador, mida aproximadamente de 15 a 23 cm (6 a 9 pulgadas) por encima de la parte superior de la unidad del barral/de la semiesfera. Corte el excedente de cable y pele 1,2 cm (1/2") del aislamiento a partir del extremo del cable.

10. De esta manera completó el ensamblaje de su nuevo ventilador de techo. Ahora puede continuar con las instrucciones para colgar el ventilador y realizar la instalación eléctrica.



### ⚠ ADVERTENCIA

Para reducir el riesgo de lesiones personales, no doble los soportes de aspas al instalarlos, balancear las aspas o limpiar el ventilador. No coloque objetos extraños entre las aspas del ventilador en funcionamiento.

# Cómo colgar el ventilador de techo

## ⚠ ADVERTENCIA

Para evitar posibles descargas eléctricas, asegúrese de que la electricidad esté desconectada en la caja de fusibles principal antes de colgar el ventilador.

**NOTA:** Si no está seguro si la caja de distribución eléctrica tiene conexión a tierra, pida asesoramiento a un electricista autorizado, ya que la conexión a tierra es fundamental para un funcionamiento seguro.

## ⚠ ADVERTENCIA

Las aspas del ventilador deben estar suspendidas, al menos, a 2 m (7') del piso (Figura 1)

## ⚠ ADVERTENCIA

La caja de distribución eléctrica debe estar bien asegurada y ser capaz de soportar una carga de, al menos, 22,7 kg (50 lb). El soporte de suspensión debe estar colocado firmemente contra la caja de distribución eléctrica. Si la caja de distribución eléctrica está empotrada, retire la tabla roca hasta que el soporte haga contacto con la caja. Si el soporte o la caja de distribución eléctrica no están bien asegurados, el ventilador podría oscilar o caerse.

## PRECAUCIÓN

No conecte las aspas hasta que el ventilador esté totalmente instalado. Colgar el ventilador con las aspas conectadas podría ocasionar daños en las mismas.

1. Fije bien el soporte de suspensión a la caja de distribución con los tornillos y las arandelas suministrados con la misma (Figura 6).

**NOTA:** Se deben pasar los tornillos de la caja de distribución eléctrica a través de los orificios que se encuentran en el soporte de suspensión (Figura 6).

2. Pase los cables eléctricos de la caja de distribución eléctrica a través de la abertura del soporte de suspensión, dóblelos hacia arriba y apártelos de modo que la semiesfera se ajuste fácilmente en el soporte de suspensión.

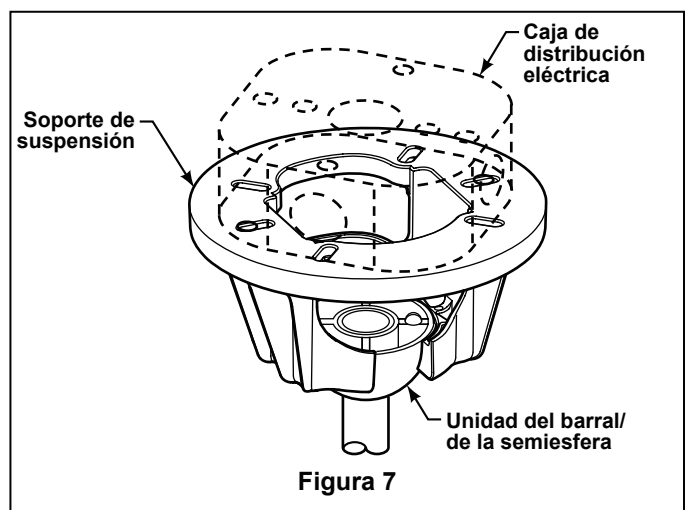
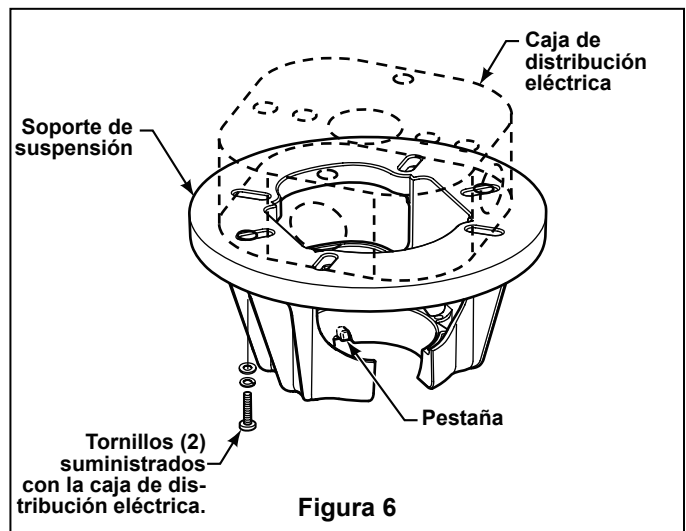
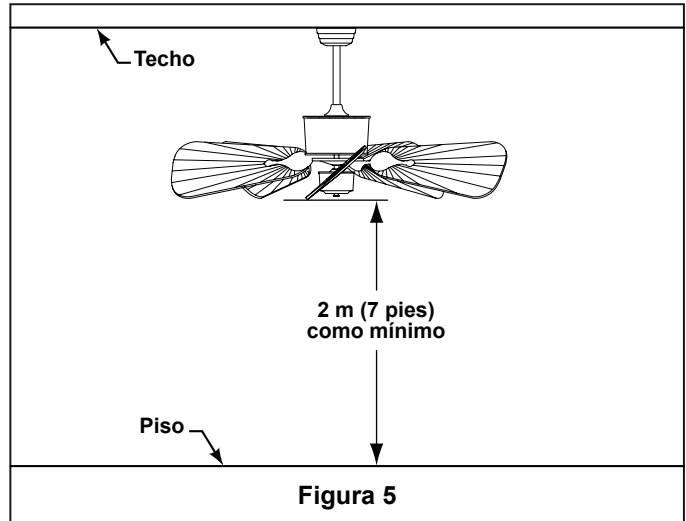
3. Con cuidado, levante el ventilador y apoye la unidad del barral/de la semiesfera en el soporte de suspensión que acaba de fijar a la caja de distribución eléctrica (Figura 7). Asegúrese de que la ranura en la semiesfera esté alineada con el reborde del soporte de suspensión (Figura 6).

## ⚠ ADVERTENCIA

Si la pestaña no está en la ranura, podrían producirse daños en los cables eléctricos y posibles descargas eléctricas o incendios.

## ⚠ ADVERTENCIA

Para evitar una posible descarga eléctrica, no apriete los cables entre la unidad del barral/de la semiesfera y el soporte de suspensión.



# Cómo realizar la instalación eléctrica del ventilador de techo - Cadena de encendido/apagado

Si siente que no posee la experiencia o los conocimientos eléctricos necesarios, contrate a un electricista autorizado para instalar el ventilador.

## ⚠ ADVERTENCIA

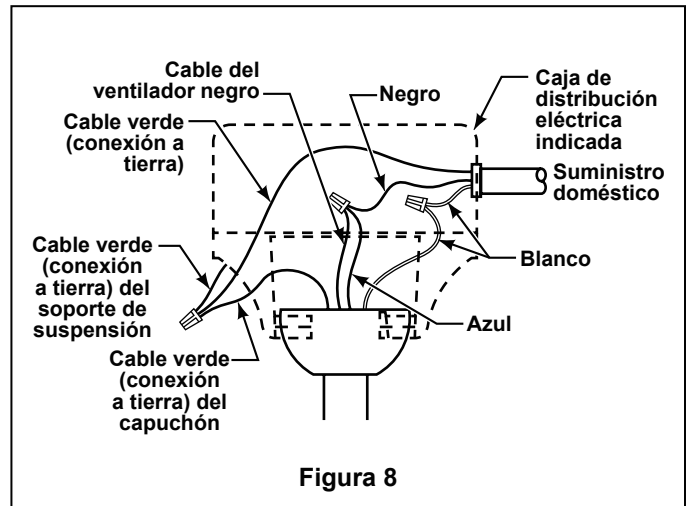
Para evitar posibles descargas eléctricas, asegúrese de que la electricidad esté desconectada en la caja de fusibles principal antes de realizar la instalación eléctrica.

**NOTA:** Si no está seguro acerca de si la caja de distribución eléctrica tiene conexión a tierra, pida asesoramiento a un electricista autorizado, ya que la conexión a tierra es fundamental para un funcionamiento seguro.

1. Conecte el cable de conexión a tierra verde de la semiesfera y el cable de conexión a tierra verde del soporte de suspensión al conductor con conexión a tierra (el mismo puede ser un cable desnudo o un cable con aislamiento de color verde). Conecte los cables con los conectores de cables suministrados.

2. Conecte el cable blanco del motor del ventilador al cable de suministro blanco (neutro) con el conector de cables suministrado. Conecte el cable negro del motor del ventilador y el cable azul al cable de suministro negro con el conector de cables suministrado (Figura 8). Luego de realizar las conexiones, doble los cables hacia arriba e insértelos con cuidado en la caja de distribución eléctrica, con los cables blanco y verde a un lado de la caja y los cables negro y azul al otro lado.

3. Asegure el capuchón al soporte de suspensión con las varillas roscadas, las arandelas de seguridad externas y las perillas estriadas suministradas (vea la página 26). El ventilador se encuentra ahora conectado y se puede encender y apagar por medio del control de velocidad de cadena de encendido/apagado.



## ⚠ ADVERTENCIA

Verifique que todas las conexiones estén bien ajustadas, incluida la conexión a tierra, y que no haya ningún cable desnudo visible en los conectores de cables, a excepción del cable de conexión a tierra. No haga funcionar el ventilador hasta que las aspas estén colocadas. Podrían producirse ruidos y daños en el ventilador.

## NOTA DE INSTALACIÓN

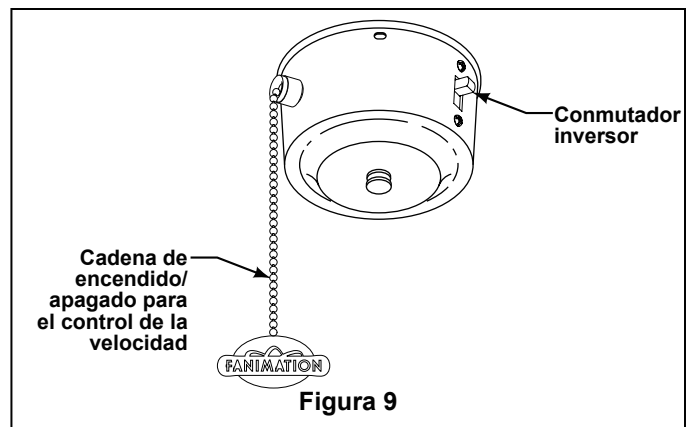
Si desea colocar un control de lámpara aparte (opcional), es necesaria una pata de interruptor separada de la caja de distribución eléctrica. En esta instancia se debe conectar el cable azul del ventilador a la pata del interruptor de la luz (generalmente cable rojo).

## Instrucciones de funcionamiento - Cadena de encendido/apagado

1. Vuelva a conectar la corriente eléctrica en la caja de distribución eléctrica mediante la conexión de la electricidad en la caja de fusibles principal.

2. Verifique el funcionamiento del ventilador tirando levemente de la cadena de encendido/apagado. (Figura 9)

3. Si desea que el flujo de aire se desplace en la dirección opuesta, apague el ventilador y espere a que las aspas se detengan. Luego deslice el conmutador inversor a la posición contraria y vuelva a encender el ventilador. Su modelo de ventilador está equipado con un interruptor de cadena de 4 posiciones y 3 velocidades. La secuencia de funcionamiento es la siguiente:



Al jalar por primera vez = ALTA      Al jalar por tercera vez = BAJA  
Al jalar por segunda vez = MEDIA      Al jalar por cuarta vez = APAGADO

## Instalación de la cubierta del capuchón

**NOTA:** Este paso se debe realizar luego de completar la instalación eléctrica necesaria. (vea la página 21)

### ⚠ **ADVERTENCIA**

Para evitar posibles incendios o descargas eléctricas, asegúrese de que los cables eléctricos se encuentran completamente adentro de la cubierta del capuchón y de que no están aprisionados entre la cubierta y el techo.

1. Atornille dos varillas roscadas en el soporte de suspensión (Figura 10a).

**NOTA:** Las varillas roscadas del soporte de suspensión sirven de guía para facilitar la instalación.

2. Ajuste bien la cubierta del capuchón al soporte de suspensión con las arandelas de seguridad y las perillas estriadas suministradas con el ventilador (Figura 10b)

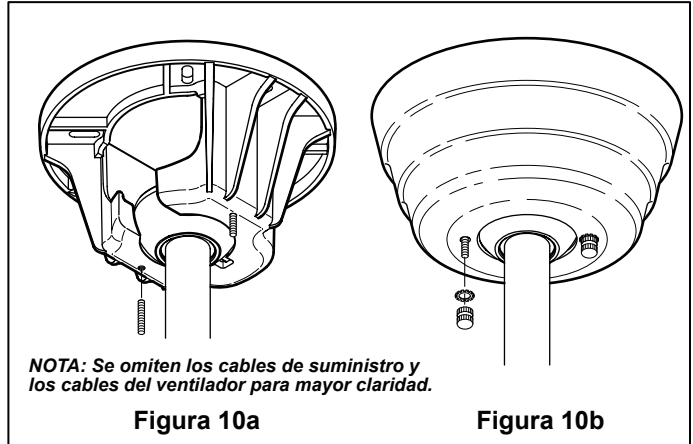


Figura 10a

Figura 10b

## Montaje de las aspas del ventilador

Encontrará el juego de aspas del ventilador embalado en su caja y los soportes de aspas y la bolsa de accesorios en el embalaje superior con espuma en la caja del ventilador (FP240). La bolsa de accesorios para los soportes de aspas cuenta con 10 tornillos y un destornillador Phillips.

### **NOTA DE INSTALACIÓN**

No conecte las aspas hasta que el ventilador esté totalmente instalado. Instalar el ventilador con las aspas colocadas podría ocasionar daños en las mismas.

1. Apoye el lado "A" del soporte de aspas sobre una superficie plana, con la parte interior del soporte mirando hacia arriba. Este es el lado que tiene los pilotes roscados y la base inclinada (Figura 11).

2. Coloque el aspa de hoja de palma, de bambú tejido o mimbre sobre el soporte de aspas con los pilotes roscados a la vista. Asegúrese de que la parte inferior del aspa se encuentre bien apoyada sobre el soporte.

3. Coloque el lado "B" del soporte de aspas sobre el aspa, y alinee los orificios sobre los pilotes roscados.

4. Con un destornillador Phillips, enrosque ambos tornillos en los pilotes pero no los ajuste por completo.

5. Antes de ajustarlos por completo, alinee el centro del soporte de aspas con el centro del extremo del aspa.

6. Ajuste ambos tornillos para asegurar el aspa. (Figura 12)

### **NOTA DE INSTALACIÓN**

Sujete las aspas al volante de goma utilizando los orificios marcados con el N.º 5 para el modelo de 5 aspas. Para el modelo de 4 aspas, utilice los orificios marcados con el N.º 4.

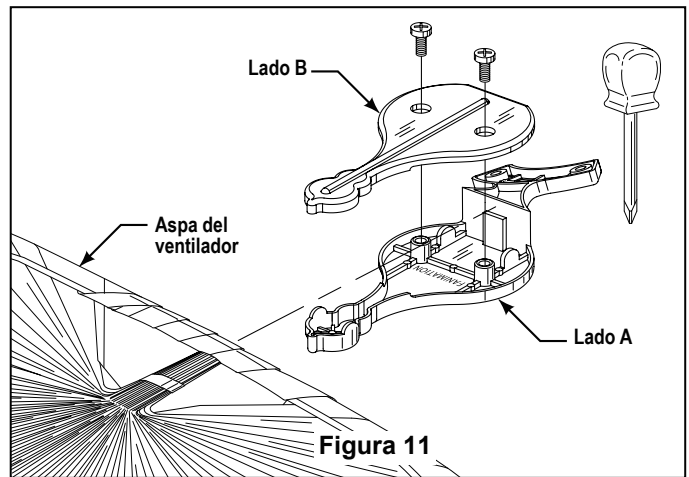


Figura 11

**NOTA:** Aspas de madera y soportes de aspas opcionales disponibles para esta unidad.

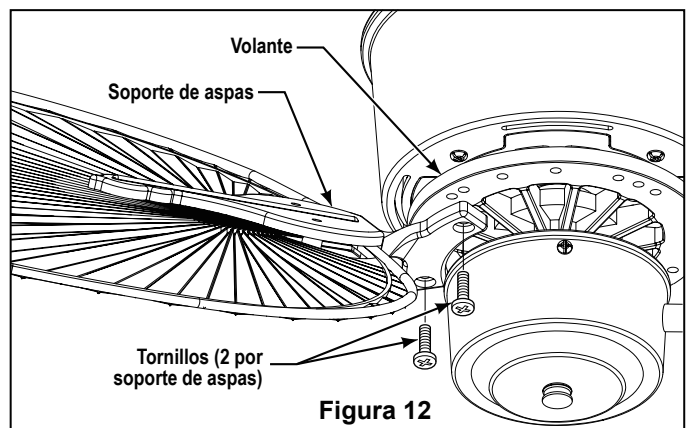


Figura 12

---

## Montaje de las aspas del ventilador (cont.)

7. Sujete los soportes de aspas a la parte inferior del volante de goma utilizando los tornillos del volante de 10-32 x 1/2" como se muestra en la Figura 19.

8. Asegúrese de que los tornillos que aseguran los soportes de aspas al volante estén bien ajustados y que los soportes de aspas estén correctamente asentados sobre el volante. (Figura 12)

---

## Mantenimiento

El único mantenimiento necesario para el ventilador de techo es una limpieza periódica.

Al llevar a cabo la limpieza, use sólo un cepillo suave o un paño sin pelusas, para evitar rayar la terminación.

No se requieren agentes abrasivos de limpieza; los mismos deben evitarse para prevenir daños en la terminación.

<b>PRECAUCIÓN</b>
<b>No utilice agua para limpiar el ventilador de techo. Podría dañar el motor o las aspas y ocasionar posibles descargas eléctricas.</b>

---

## Limpieza de las aspas

Se recomienda limpiar el polvo de las aspas de hojas de palma, bambú tejido o mimbre periódicamente. Lo mejor es utilizar un plumero.

Evite usar agua, productos de limpieza o trapos ásperos, que pueden combar o dañar las aspas.

# Lista de piezas

Modelo N.º FP320\*\*1

N.º de ref.	Descripción	Pieza N.º
1	Unidad del soporte de suspensión	APG610BL
3	Capuchón	PG165**
	<i>Bolsa de accesorios que contiene:</i>	
4	Varillas Roscadas de 5/32"-32 x 19 mm (2)	HDWFP320**
5	Arandelas de seguridad externas de 5/32" (2)	
6	Perillas estriadas (2)	
13	Tornillos del volante de 10-32 x 1/2" (10)	
14	Conectores de cables (3)	
20	Acoplador de cadena	
21	Cadena	
2	<i>Unidad del barral/de la semiesfera que contiene:</i>	
7	Barral	ADR1-6**
8	Pasador	
9	Pasador cruzado	
10	Unidad del motor del ventilador	AMA320**
11	Unidad de la caja del adaptador del interruptor (2)	AP3245**
12	Mazo de Cables	AP3230**
15	Cubiertas para soportes de aspas (juego de 5)	AP3220**
16	Soportes de aspas (juego de 5)	AP3210**
	<i>Bolsa de accesorios para el montaje de aspas que contiene:</i>	
17	Tornillos Phillips de 3/16"-24 x 1/2" (11 piezas)	BMH5**
18	Destornillador Phillips	
19	Cubierta de unión del motor	APPYJ1401**

\*\*Inserte los CÓDIGOS DE TERMINACIÓN (consulte el número de modelo del ventilador que se encuentra en el soporte de barral)

**Antes de desechar los materiales de embalaje, asegúrese de haber extraído todas las piezas**

## Cómo ordenar piezas

Al ordenar piezas de repuesto, proporcione siempre la siguiente información:

- Número de pieza
- Descripción de la pieza
- Número de modelo del ventilador

Póngase en contacto con su tienda para obtener las piezas de repuesto.



# The Islander® FP320\*\*1

## Despiece

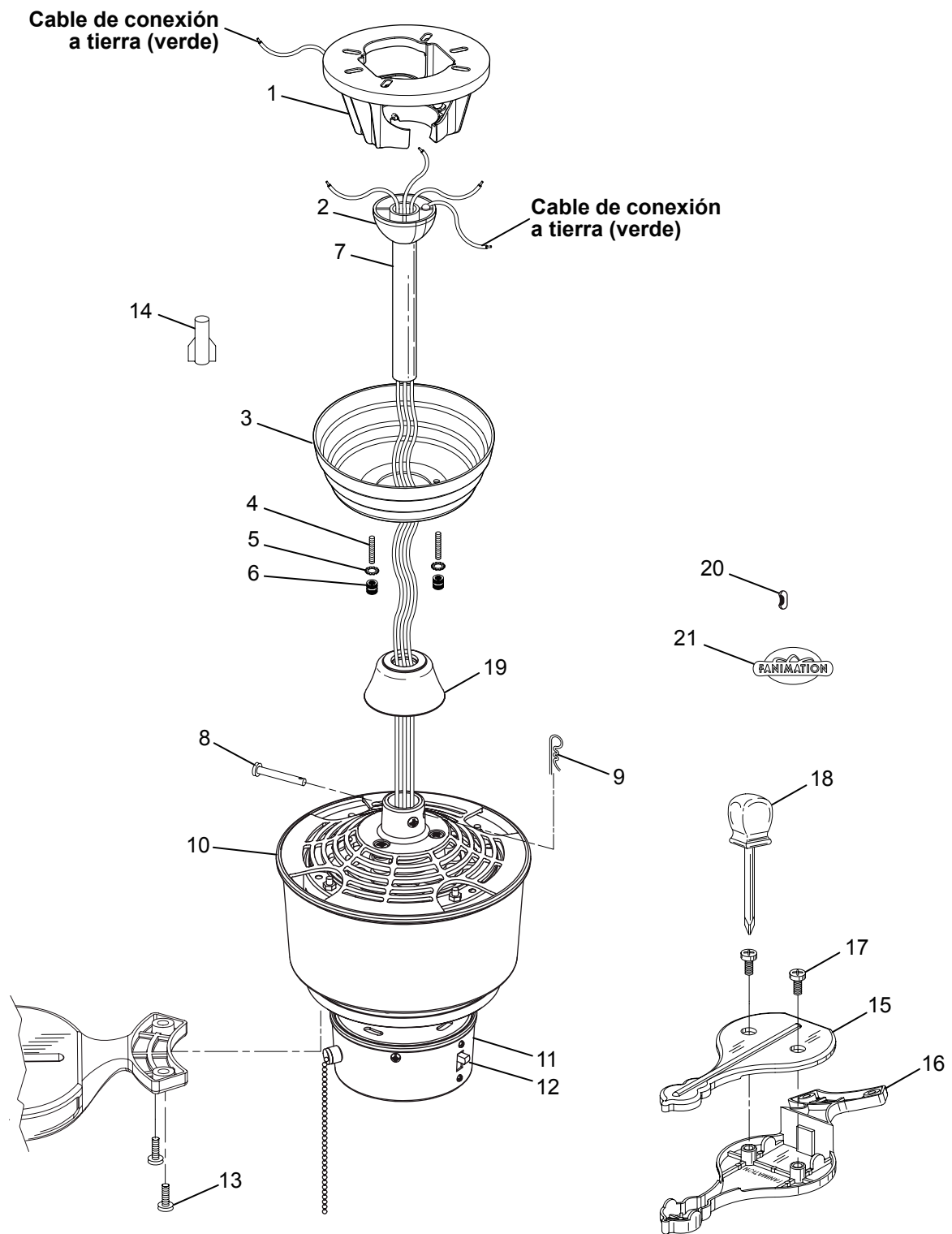


Figura 13

**NOTA:** La ilustración que se muestra no está hecha a escala y su configuración real puede variar

# Solución de problemas

## **⚠ ADVERTENCIA**

Para su propia seguridad, desconecte la electricidad de la caja de fusibles o disyuntor antes de solucionar problemas en su ventilador.

Problema	Causa posible	Solución sugerida
<b>1. EL VENTILADOR NO ARRANCA</b>	<ol style="list-style-type: none"> <li>1. El fusible o el disyuntor están fundidos.</li> <li>2. Las conexiones eléctricas del ventilador o del interruptor en la caja del interruptor están flojas.</li> <li>3. El conmutador inversor se encuentra en posición neutra.</li> <li>4. Batería agotada en el control remoto.</li> </ol>	<ol style="list-style-type: none"> <li>1. Revise los fusibles del circuito principal y derivado o los disyuntores.</li> <li>2. Revise las conexiones eléctricas del ventilador y del interruptor en las cajas de los interruptores.</li> </ol> <p><b>PRECAUCIÓN: Asegúrese de que el suministro principal de electricidad esté desconectado.</b></p> <ol style="list-style-type: none"> <li>3. Asegúrese de que el conmutador inversor esté completamente a un lado.</li> <li>4. Reemplace con una batería nueva.</li> </ol>
<b>2. EL VENTILADOR HACE RUIDO</b>	<ol style="list-style-type: none"> <li>1. Las aspas no están sujetas al ventilador.</li> <li>2. Hay tornillos flojos en la caja del motor.</li> <li>3. Los tornillos que aseguran los soportes de las aspas al volante del motor están flojos.</li> <li>4. Los conectores de cables dentro de la caja hacen ruido.</li> <li>5. Ruido del motor provocado por el control de velocidad de estado sólido variable.</li> <li>6. Los tornillos que sujetan las aspas a los soportes de aspas están flojos.</li> <li>7. El tornillo de fijación del volante de goma está flojo.</li> </ol>	<ol style="list-style-type: none"> <li>1. Ajuste las aspas al ventilador antes de ponerlo en funcionamiento.</li> <li>2. Asegúrese de que todos los tornillos de la caja del motor estén bien ajustados (pero no en exceso).</li> <li>3. Asegúrese de que los tornillos que fijan los soportes de aspas al volante del motor estén bien ajustados.</li> <li>4. Asegúrese de que los conectores de cables en la caja del interruptor no produzcan ruido al rozar unos con otros o al rozar la pared interior de la caja del interruptor.</li> </ol> <p><b>PRECAUCIÓN: Asegúrese de que el suministro principal de electricidad esté desconectado.</b></p> <ol style="list-style-type: none"> <li>5. Algunos motores de ventilador son sensibles a las señales de los controles de velocidad de estado sólido variables. Los controles de estado sólido no son recomendables. Escoja un método de control alternativo.</li> <li>6. Ajuste bien los tornillos.</li> <li>7. Asegure bien los tornillos de fijación.</li> </ol>
<b>3. EL VENTILADOR OSCILA EN EXCESO</b>	<ol style="list-style-type: none"> <li>1. El tornillo de fijación del soporte de barral está flojo.</li> <li>2. El tornillo de fijación en la unidad del barral/de la semiesfera está flojo.</li> <li>3. Los tornillos que aseguran los soportes de las aspas al volante están flojos.</li> <li>4. Los soportes de aspas no están colocados correctamente.</li> <li>5. El soporte de suspensión o la caja de distribución eléctrica del techo no están bien asegurados.</li> <li>6. Las aspas del ventilador están desbalanceadas.</li> </ol>	<ol style="list-style-type: none"> <li>1. Ajuste bien los dos tornillos de fijación en el soporte de barral.</li> <li>2. Ajuste el tornillo de fijación en la unidad del barral/ de la semiesfera.</li> <li>3. Asegúrese de que los tornillos que fijan los soportes de aspas al volante del motor del ventilador estén bien ajustados.</li> <li>4. Asegúrese de que los soportes de las aspas del ventilador estén colocados firmemente y de manera uniforme en relación con la superficie de la caja del motor. Si los soportes están mal colocados, afloje los tornillos y vuelva a ajustarlos.</li> <li>5. Ajuste los tornillos del soporte de suspensión de la caja de distribución eléctrica y asegúrela.</li> <li>6. Al intercambiar la posición de las aspas, puede redistribuir el peso y hacer que el ventilador funcione más suavemente. Por ejemplo, intercambie las aspas en las posiciones 1 y 3, o 1 y 4. Si esto no mejora el nivel de oscilación, intercambie la 2 por la 4, o la 2 por la 5.</li> </ol>
<b>4. NO HAY SUFICIENTE MOVIMIENTO DE AIRE</b>		<ol style="list-style-type: none"> <li>1. Si es posible, considere el uso de un barral más largo. Por ejemplo, use un barral de 30,5 cm (12") en lugar del barral de 15 cm (6") que viene con el ventilador.</li> <li>2. Cambie la configuración de su aspa de 5 a 4 aspas. El volante acepta ambas configuraciones.</li> <li>3. Considere utilizar aspas más angostas en lugar de aspas ovaladas y anchas. Las aspas más angostas están disponibles en las series de hoja de palma y bambú tejido.</li> </ol>





**10983 Bennett Parkway  
Zionsville, IN 46077**

**Llame sin cargo al (888) 567-2055  
FAX (866) 482-5215**

**Desde fuera de los EE.UU., llame al (317) 773-4113  
Visite nuestro sitio web en [www.fanimation.com](http://www.fanimation.com)**