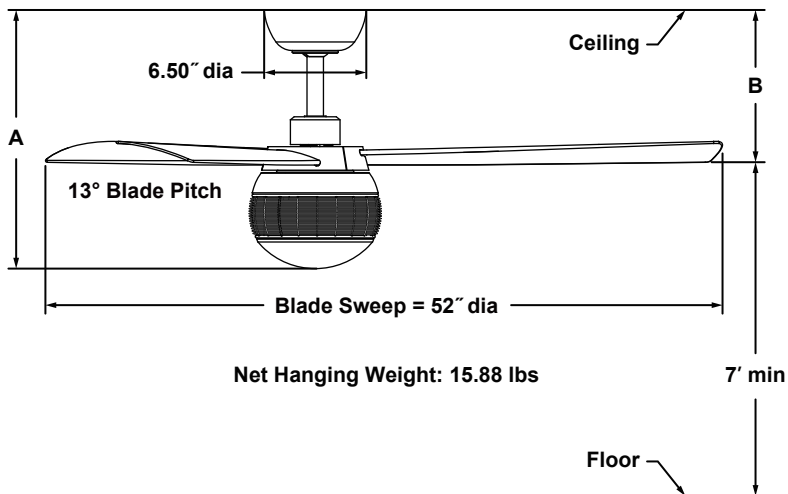


PAGET™

FP6837** 52" Ceiling Fan



INSTALLATION REQUIREMENTS:

Fan must be attached to a securely anchored electrical junction box capable of withstanding a load of at least 35 lbs.

ELECTRICAL REQUIREMENTS:

Requires a grounded electrical supply line of 120 volts AC, 60 Hz, 15 amp circuit.

MOTOR SPECS:

153 x 17 AC motor is designed for optimal performance with this fan.

BLADES:

A set of three 24" composite blades is included.

LIGHTING OPTIONS:

One 18-watt LED included.

CONTROL OPTIONS:

TR500 hand-held remote control is included. Push button remote control with variable fan speeds, infinite light levels and off button. The reverse switch is located on the light plate assembly. Optional WC2WH, WR501WH wall controls and WFR50 WiFi receiver unit are available — sold separately. Instructions are provided with each control.

DOWNROD OPTIONS:

Fan comes with a 1" dia. x 6" long downrod. Optional downrods are available in 12", 18", 24", 36", 48", 60" and 72" lengths. A downrod coupler is available for installations requiring a downrod longer than 72". Fan can be mounted on a sloped ceiling up to 27°. Most sloped ceiling installations require a standard 24" downrod or longer downrod. Optional sloped ceiling ball kits (SCB1-52) are available for slope angles greater than 27° and up to 42° as well — sold separately. Call technical support for more information.

LOCATION USE:

Fan is rated for dry and damp locations. This fan is for room up to 400 sq ft.

	A	B
Fan w/6" downrod	16.29"	9.70"
Fan w/12" downrod	22.29"	15.70"
Fan w/18" downrod	28.29"	21.70"
Fan w/24" downrod	34.29"	27.70"
Fan w/36" downrod	46.29"	39.70"
Fan w/48" downrod	58.29"	51.70"
Fan w/60" downrod	70.29"	63.70"
Fan w/72" downrod	82.29"	75.70"

Available Finishes	
BL	Black and Darker Wicker with Black Blades and Opal Frosted Glass
BSMW	Brushed Satin Brass and Natural Wicker with Matte White Blades and Opal Frosted Glass
MW	Matte White with Matte White Blades and Opal Frosted Glass

Airflow / Energy Efficiency Info (120V)					
Fan Speed	Max RPM	CFM	CFM / Watts	Amps	Watts
High	160	5429	97	0.47	56
Med	119	3903	126	0.35	31
Low	73	2410	184	0.23	13

Energy Guide FTC			
Power (W _{ave})	Total Air Delivery (CFM _{ave})	Estimated Yearly Energy Cost (\$)	Ceiling Fan Efficiency (CFM/W)
36	4014	10	110

Lighting Information (120V)					
Light Bulb	Lumens Amount	Delivered Lumens	Color Temp	CRI	Shade/Glass type
18W LED	1700	830	3000	90%	Opal Frosted