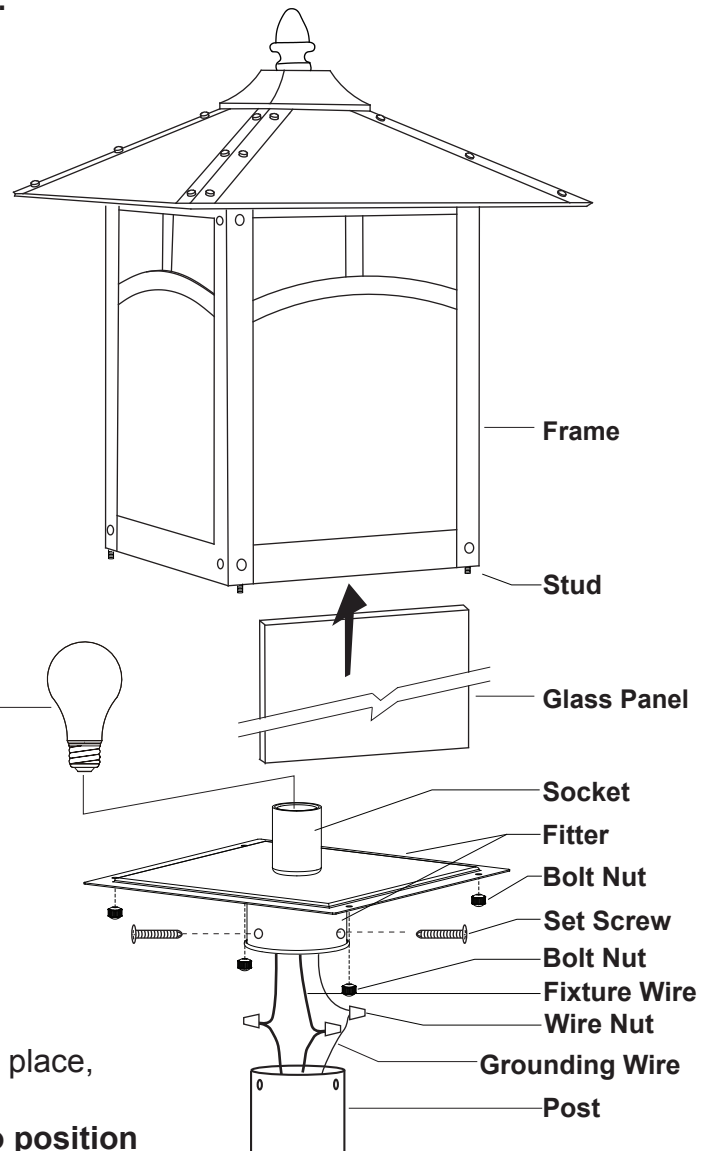
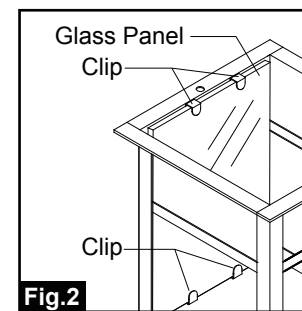
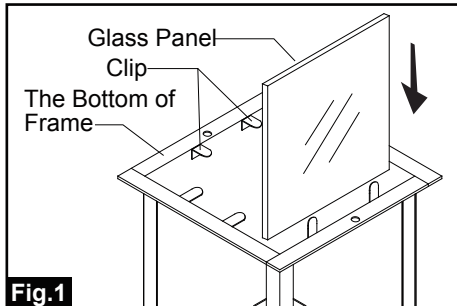


ASSEMBLY AND INSTALLATION INSTRUCTIONS

TL-OPU090

WARNING: BE SURE TO SHUT OFF POWER AT THE MAIN FUSE OR CIRCUIT BREAKER BOX BEFORE INSTALLING OR SERVICING THIS FIXTURE.

NOTE: 1. Before installing, consult local electrical codes for wiring and grounding requirements. 2. READ AND SAVE THIS INSTRUCTION.



1. Unscrew the bolt nuts and remove the frame away from the fitter.
2. Gently insert the glass panels into the frame in place, secure them by pressing the clips. (See Fig. 1)
Note: The flat glass should be fastened into position as shown in Fig. 2.
3. Pull out the wires and grounding wire from the post. Make wire connections using the wire nuts:
 - The black wire from the fixture to the black wire from the post.
 - The white wire from the fixture to the white wire from the post.
 - The grounding wire from the fixture to the grounding wire from the post.
 Carefully put the wires back into the post.
4. Place the fitter on the post, then secure it with the set screws.
CAUTION: With silicone caulking compound, caulk completely around where the fitter meets with the post surface to prevent water from seeping into the post.
5. Install a bulb (not included). See relamping label at socket area or packaging for maximum allowed wattage.
6. Restore the frame back to the fitter, then secure it with the bolt nuts.
7. Turn on the power at the main fuse or circuit breaker box.