

ASSEMBLY INSTRUCTIONS

Halo Large Flush Mount

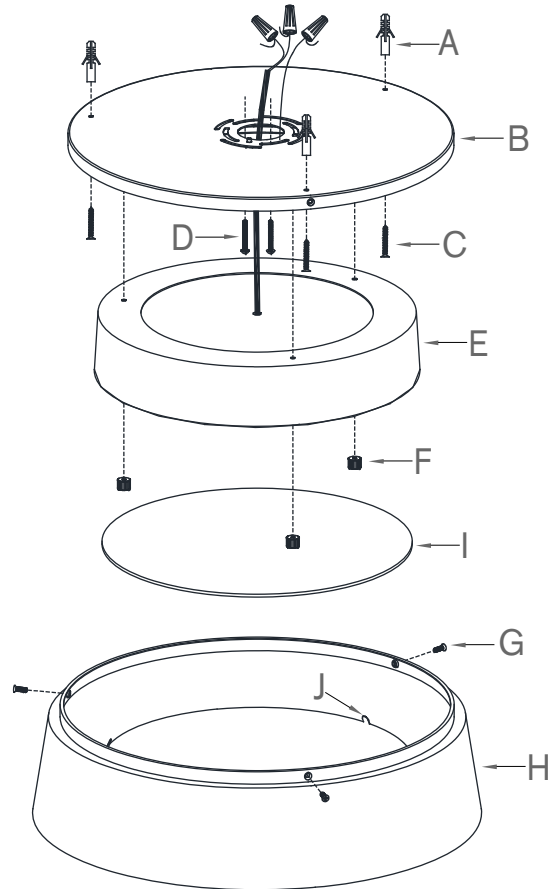
Item # BBL 4096

WE RECOMMEND INSTALLATION OF THIS LIGHTING FIXTURE BE DONE BY A LICENSED ELECTRICIAN.

WARNING * SWITCH OFF THE MAIN ELECTRICAL SUPPLY FROM THE MAIN FUSE BOX/CIRCUIT BREAKER BEFORE INSTALLATION.**

INSPECT ITEM CAREFULLY BEFORE ATTEMPTING TO INSTALL. IF THERE IS ANY DAMAGE OR OBVIOUS DEFECT, DO NOT INSTALL.

ITEM MAY NOT BE RETURNED ONCE IT HAS BEEN INSTALLED.



1. Carefully remove all parts from the carton.
2. Remove the shade (H) from the fixture by removing the screws (G) in counter-clockwise direction.
3. Remove the light fixture (E) from the mounting plate (B) by removing cap nuts (F).
4. Position mounting plate (B) on the ceiling outlet box. Mark center points for three mounting holes with a pencil on the ceiling. Remove mounting plate (B).
5. Drill small holes on each point location on the ceiling, each hole should be large enough to accommodate the plastic anchor (A). Push plastic anchors (A) into the holes in the ceiling.
6. Attach mounting plate (B) to ceiling outlet box, aligning holes and secure by inserting mounting screws (D) to the holes of outlet box and screws (C) to the plastic anchors (A) in the ceiling.
7. Gently pull the wires from the ceiling outlet through the center hole in mounting plate (B).
8. Attach ground (green) wire to ground wire from wall outlet box (usually green or copper in color), fasten together with a plastic wire connector. Tightly wrap the wire with electrical tape, so the end of the connector is sealed. IT IS IMPERATIVE THAT THE OUTLET BOX IN YOUR HOME BE PROPERLY GROUNDED.
9. Connect neutral (white) fixture wire coming from fixture base to neutral (usually white) outlet wire. Fasten both wires together with a plastic wire connector and tightly wrap the wire connector with electrical tape.
10. Repeat the procedure with the hot (black) wire. Always make sure that no wire strands are left outside the connectors. DO NOT REVERSE THE HOT AND NEUTRAL CONNECTIONS OTHERWISE SAFETY WILL BE COMPROMISED.
11. Insert the diffuser (I) into shade (H) from the top opening and secure by bending the tabs (J) towards the diffuser (I).
12. Attach light fixture (E) to the affixed mounting plate (B), letting the rods on bottom of mounting plate (B) pass through the holes on light fixture (E) and secure with cap nuts (F).
13. Attach shade (H) to mounting plate (B) and secure with the screws (G).
14. Restore power and test fixture. Installation is complete.

*** Clean with a dry, soft cloth only. Use no harsh abrasives or chemical agents.