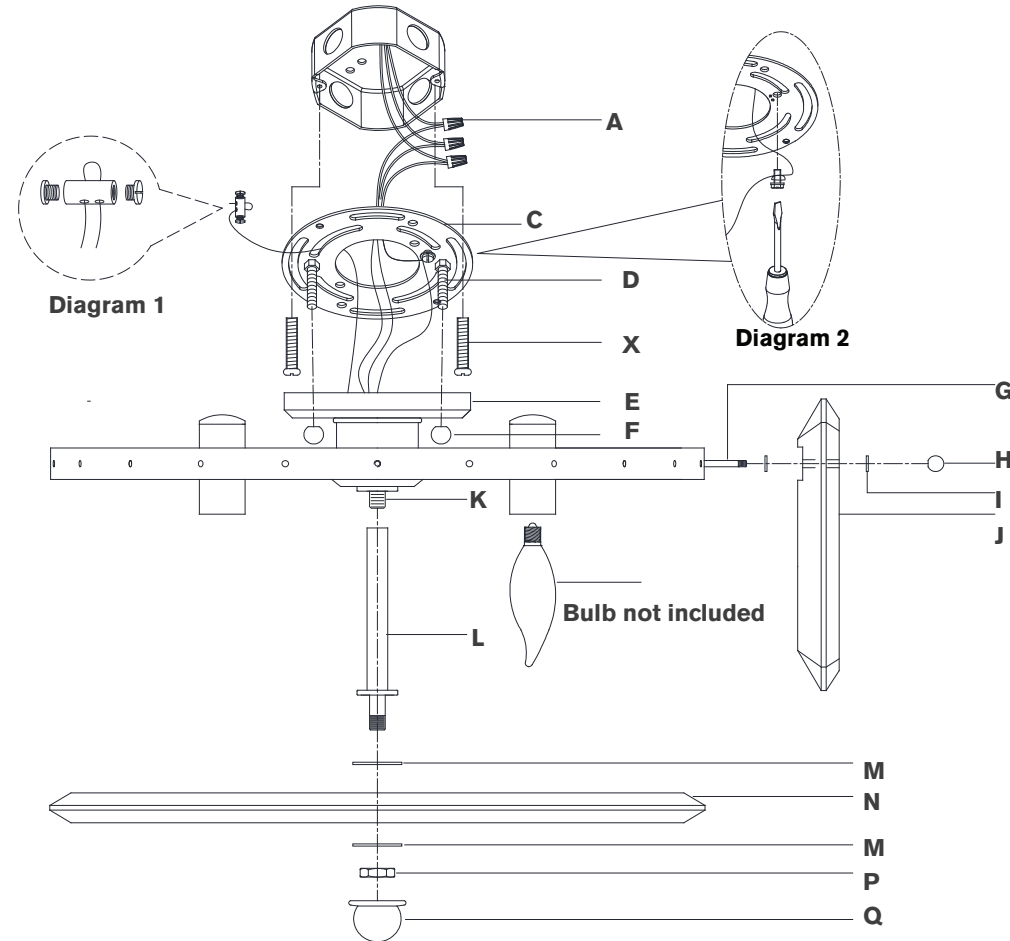


ASSEMBLY INSTRUCTIONS



Bonnington Medium Flush Mount

Item # ARN 4125

NOTICE:

This light fixture should be installed in accordance with all applicable, local installation codes, and by a person familiar with the construction and operation of it, as well as the hazards involved. Inspect item and contents carefully. If any damage or defect is found, do not install. Retain all packaging material until installation is complete and approved.

TOOLS REQUIRED (NOT INCLUDED):

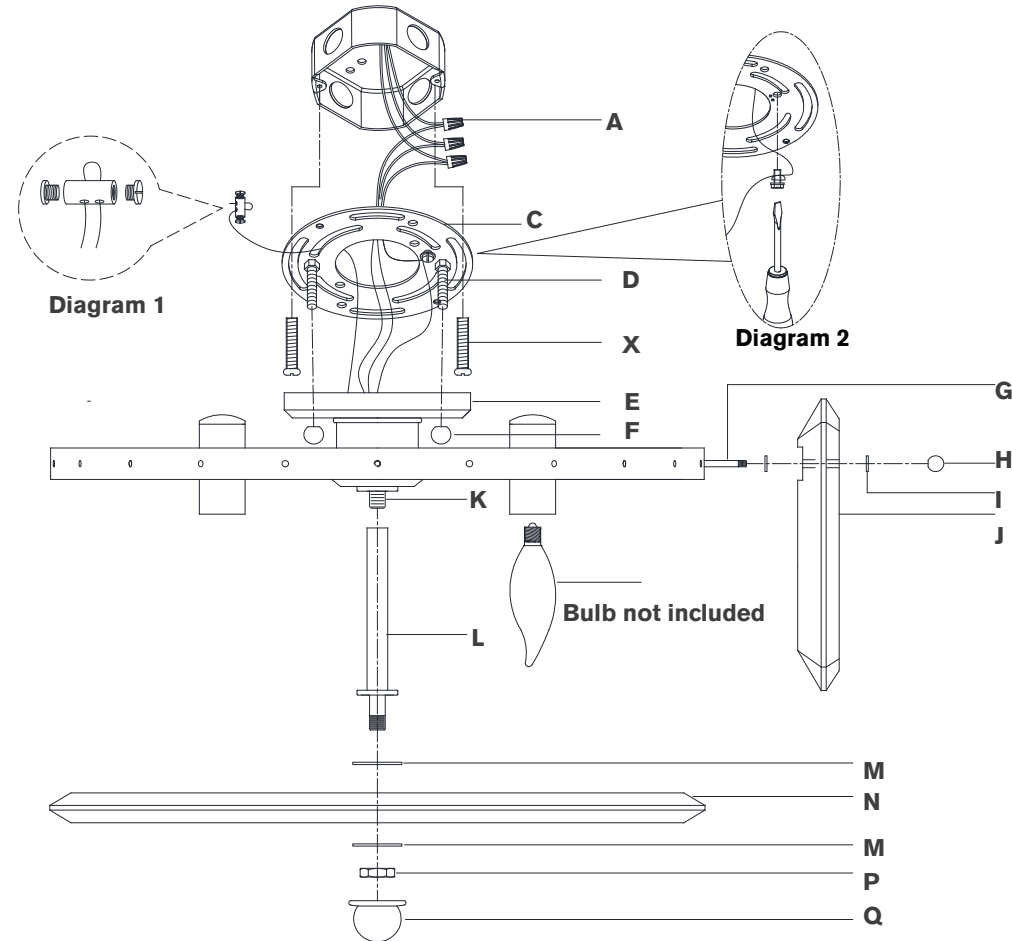
Phillips Screwdriver

Slotted Screwdriver

- Carefully remove all parts from the box. Place on a clean, soft surface.
- Remove mounting plate **(C)** from fixture by removing threaded caps **(F)**.
- Install mounting plate **(C)** to the junction box and secure with mounting screws **(X)**.
- Supporting fixture properly, run support cable through hole on back of mounting plate **(I)**. Loosen cable lock and install to end of support cable. Run cable through other end of cable lock and tighten ends with a screwdriver to secure. (see diagram 1)
- Wrap fixture ground wire (bare copper) around the green grounding screw (see diagram 2). Tighten. Continue fixture ground wire and connect to supply ground wire (usually green or bare copper) using wire nut **(A)**.
- Connect fixture neutral wire (white) to the supply neutral wire (usually white) using wire nut **(A)**.
- Connect fixture hot wire (black) to the supply hot wire (usually black) using wire nut **(A)**.

CAUTION: Do not reverse the hot and neutral connections.

ASSEMBLY INSTRUCTIONS



Bonnington Medium Flush Mount

Item # ARN 4125

NOTICE:

This light fixture should be installed in accordance with all applicable, local installation codes, and by a person familiar with the construction and operation of it, as well as the hazards involved. Inspect item and contents carefully. If any damage or defect is found, do not install. Retain all packaging material until installation is complete and approved.

8. Make sure all wire connections are tight, then carefully tuck into the junction box.
9. Install fixture to mounting plate (C) by securing with threaded caps (F).
NOTE: : If needed, adjust threaded receivers on mounting plate up or down to expose proper amount of threading to secure caps
10. Attach rubber washers (I) to either side of the crystals (J) and secure to rods (G) with cap nuts (H).
NOTE: Do not overtighten otherwise glass could become damaged.
11. Install light bulbs into the sockets.
12. Thread rod (L) to nipple (K).
13. Attach rubber washers (M) to either side of the glass diffuser (N) and secure to the nipple of rod (L) with nut (P) and finial (Q).
NOTE: Do not overtighten otherwise shade could become damaged.

Care Instructions: Clean only with a soft dry cloth or feather duster. Do not use abrasive or chemical agents.